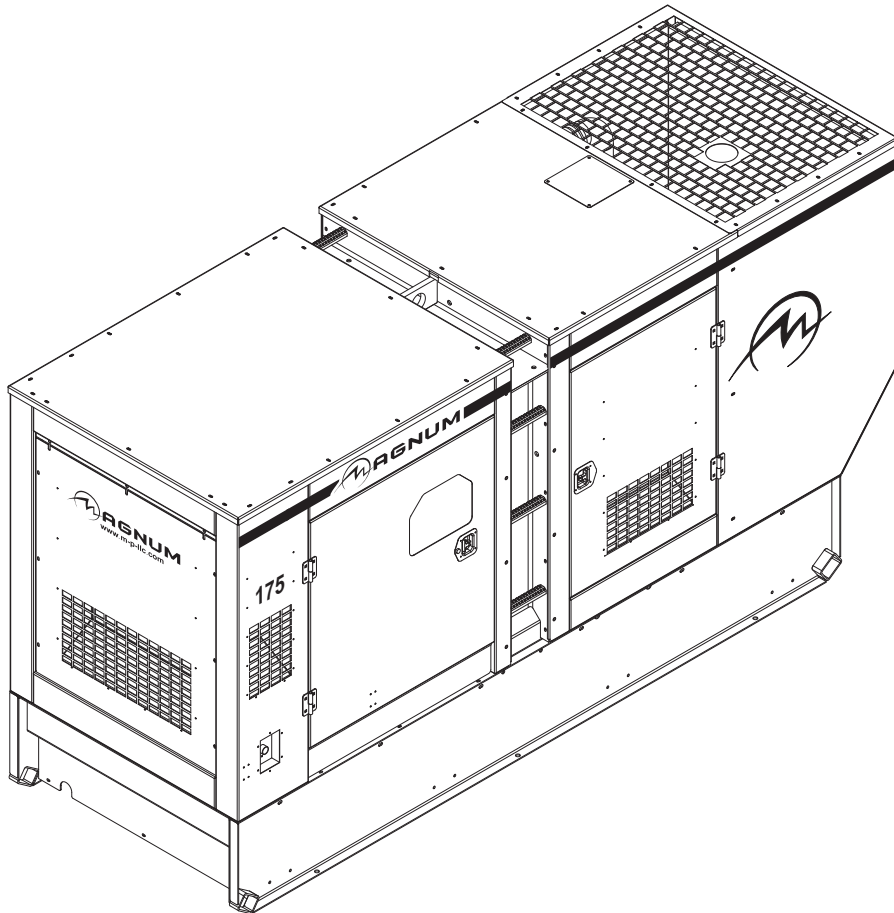




DIESEL GENERATOR
MMG175



PARTS MANUAL

INTRODUCTION

Before servicing this machine, make sure the engine start switch is turned to off "O", the circuit breakers are open (off, "O"), the emergency stop switch is closed (pushed in), and the negative (-) terminal on battery is disconnected. Attach a "DO NOT START" sign to the control panel. This will notify everyone that the unit is being serviced and will reduce the chance of someone inadvertently trying to start the unit. If the unit is connected to a remote start or transfer switch, make sure the remote switch is also off and tagged.

▲ WARNING

Before operating or servicing this equipment, read and understand the Magnum Operating Manual which was included with the unit when shipped from the factory. Failure to do so increases the risk of injury to yourself or others.

MAGNUM PRODUCTS LLC
215 Power Drive • Berlin, WI 54923
U.S.A.
Phone: 920-361-4442
FAX: 920-361-4416
Toll Free: 1-800-926-9768
www.m-p-llc.com

For technical or parts QUESTIONS, please contact Magnum Products' Customer Support or Technical Support team at 920-361-4442 or toll free at 1-800-926-9768. Please have your serial number available.

To ORDER SERVICE PARTS, please contact the dealer from which you purchased the unit, or call Magnum Products to locate a dealer in your area.

Engine Make: _____
Engine Serial Number: _____
Engine Model Number: _____
Generator Make: _____
Generator Model Number: _____
Generator Serial Number: _____
Unit Model Number: _____
Unit Serial Number: _____

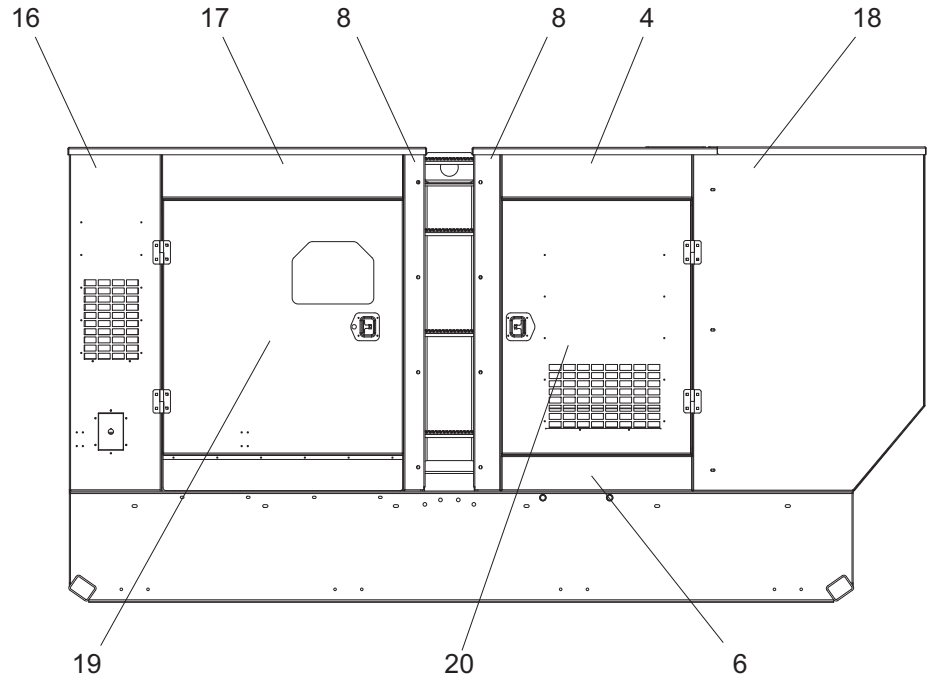
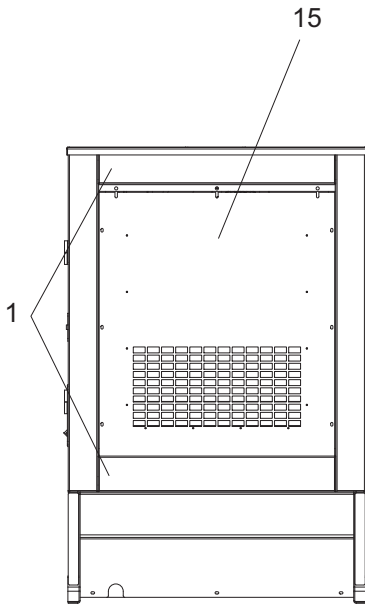
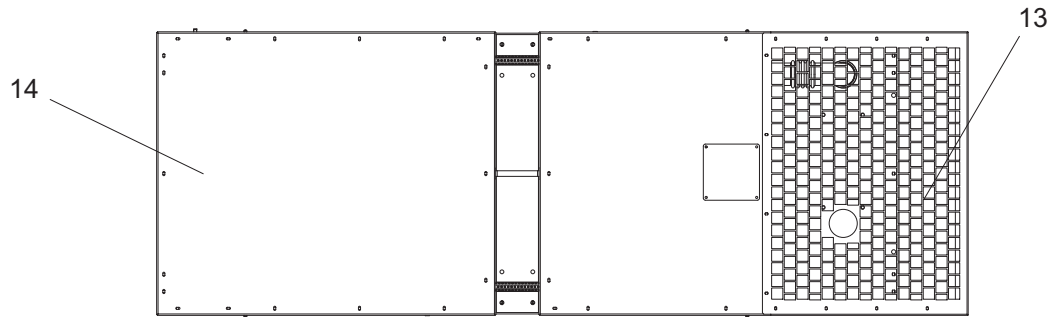
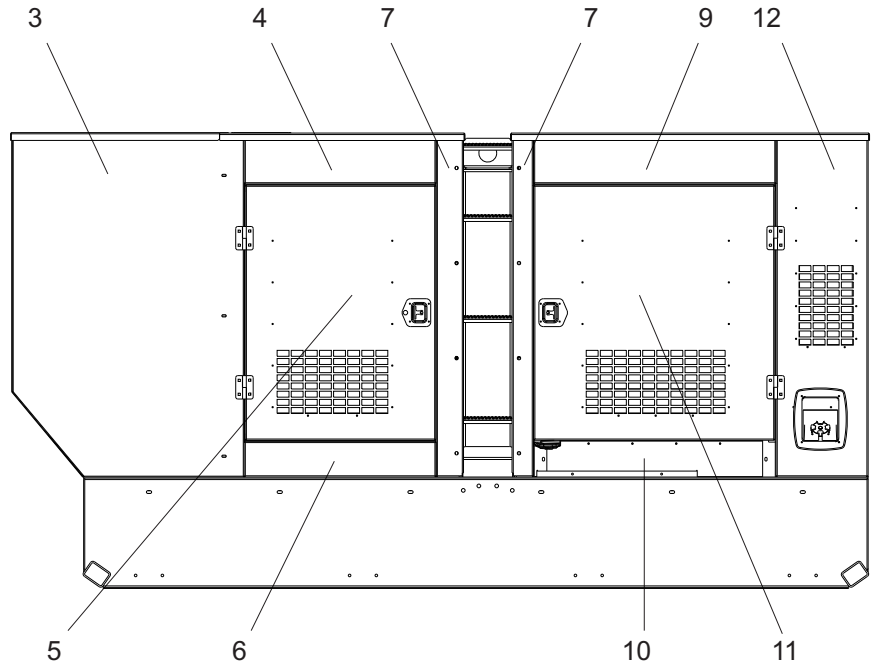
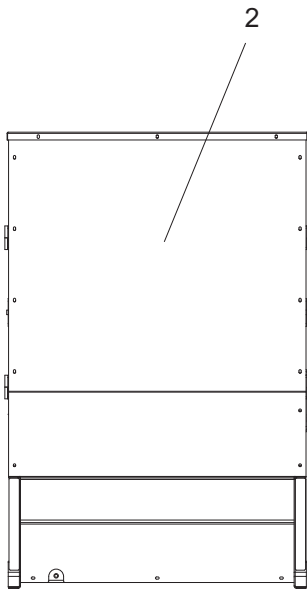
▲ WARNING

CALIFORNIA PROPOSITION 65 WARNING:
Diesel engine exhaust and some of its constituents are known to the state of California to cause cancer, birth defects and other reproductive harm.

TABLE OF CONTENTS

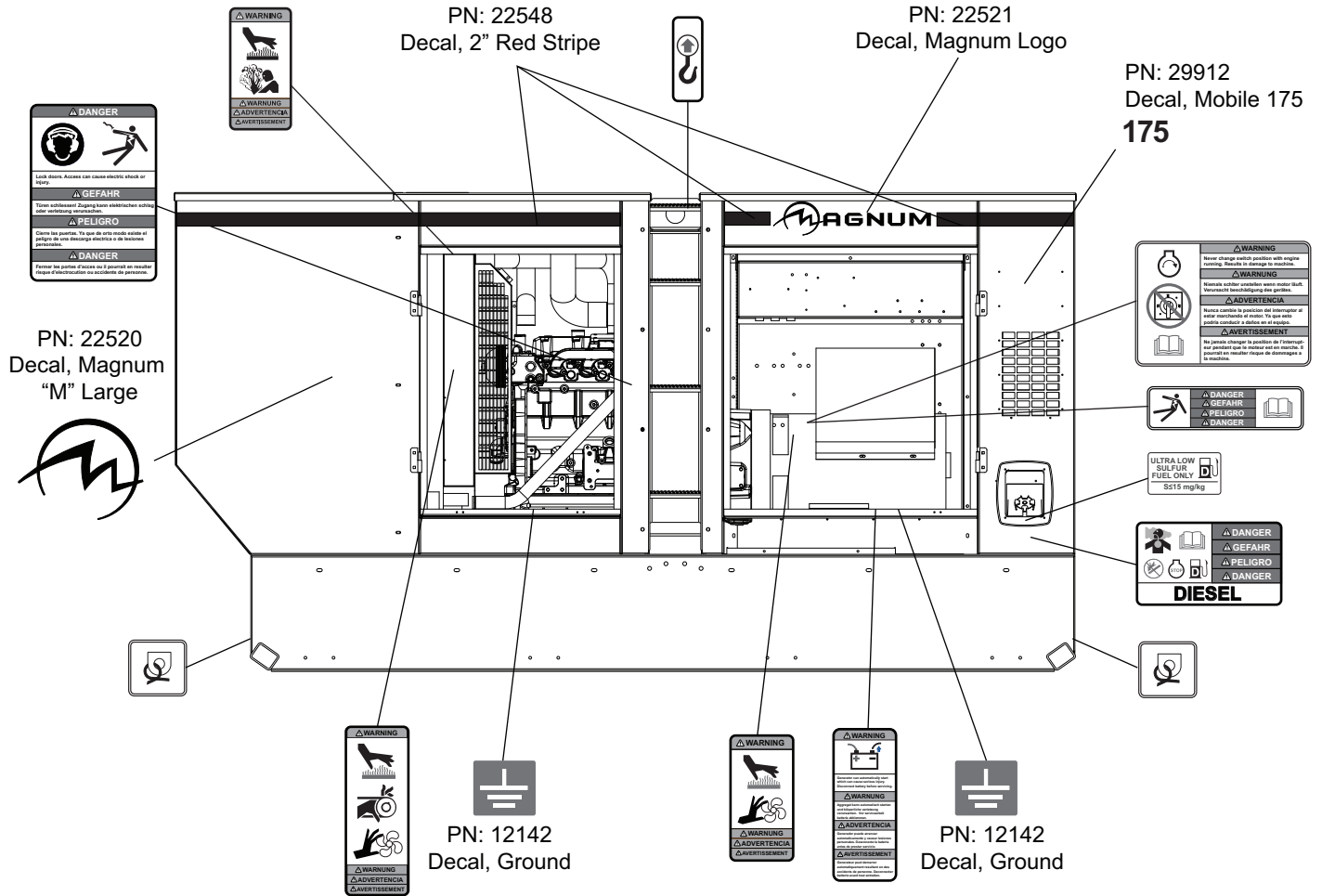
	Page
INTRODUCTION	2
ENCLOSURE PANELS	4
UNIT DECALS	6
UNIT DECALS (CONTINUED)	7
LUG BOX DOOR	8
LUG PLATE ASSEMBLY	9
LUG BOX ASSEMBLY	10
LEFT CONTROL PANEL ASSEMBLY	11
RIGHT CONTROL PANEL ASSEMBLY	12
CONTROL BOX ASSEMBLY	14
OUTLET PANEL ASSEMBLY	16
OUTLET PANEL ASSEMBLY FOR CAM LOCK OPTIONS	17
CAM LOCK PANEL ASSEMBLY OPTIONS	18
CAM LOCK DOOR ASSEMBLY (OPTIONAL)	19
AIR FILTER ASSEMBLY	20
EXHAUST SYSTEM ASSEMBLY	21
ENGINE MOUNT ASSEMBLY	22
FUEL LEVEL SENDING UNIT ASSEMBLY	23
FUEL TANK ASSEMBLY	24
GENERATOR TO ENGINE ASSEMBLY	26
GENERATOR BOX ASSEMBLY	28
GENERATOR BOX ASSEMBLY	30
ENGINE ASSEMBLY	32
FUEL TANK AND SKID ASSEMBLY	34
ENGINE TO SKID ASSEMBLY	36
COOLING SYSTEM ASSEMBLY	38
LEFT FRONT DOOR ASSEMBLY	40
LEFT REAR DOOR ASSEMBLY	42
RIGHT FRONT DOOR ASSEMBLY	44
CONTROL DOOR ASSEMBLY	46
LEFT SIDE CENTER PANEL ASSEMBLY	48
RIGHT SIDE CENTER PANEL ASSEMBLY	49
LEFT FRONT CORNER ASSEMBLY	50
RIGHT FRONT CORNER ASSEMBLY	51
FRONT PANEL ASSEMBLY	52
REAR PANEL ASSEMBLY	53
FRONT ROOF PANEL ASSEMBLY	54
REAR ROOF PANEL ASSEMBLY	55
LEFT REAR CORNER ASSEMBLY	56
RIGHT REAR CORNER ASSEMBLY	58
END AND LOWER SIDE PANEL ASSEMBLY	60
UPPER SIDE PANEL ASSEMBLY	61
TRAILER ASSEMBLY	62
TRAILER BRAKE LINES	64
RECOMMENDED SPARE PARTS LIST	66

ENCLOSURE PANELS



ITEM	PART NO.	QTY	DESCRIPTION
1	Page 60	2	End panel assembly
2	Page 52	1	Front panel assembly
3	Page 50	1	Left front corner assembly
4	Page 61	2	Upper side panel assembly
5	Page 40	1	Left front door assembly
6	Page 60	2	Lower side panel assembly
7	Page 48	1	Left side center panel assembly
8	Page 49	1	Right side center panel assembly
9	Page 61	1	Upper side panel assembly
10	Page 60	1	Lower side panel assembly
11	Page 42	1	Left rear door assembly
12	Page 56	1	Left rear corner assembly
13	Page 54	1	Front roof panel assembly
14	Page 55	1	Rear roof panel assembly
15	Page 53	1	Rear panel assembly
16	Page 58	1	Right rear corner assembly
17	Page 61	1	Upper side panel assembly
18	Page 51	1	Right front corner assembly
19	Page 46	1	Control door assembly
20	Page 44	1	Right front door assembly-+

UNIT DECALS



TOWING INSTRUCTIONS	ABSCHLEPPINSTRUKTIONEN	INSTRUCCIONES DE REMOLQUE	INSTRUCIONS DE REMORQUAGE
<ol style="list-style-type: none"> Read operator's manual. Use only correct tow vehicle's "gross vehicle weight" rating. Use proper hitching technique. Check trailer lights. 	<ol style="list-style-type: none"> Ablesen des Herstellerhandbuchs. Benutzen Sie nur die zulässige Gesamtgewicht des Zugschlusses. Benutzen Sie die richtige Anhängertechnik. Überprüfen Sie die Leuchten des Anhängers. 	<ol style="list-style-type: none"> Leer el manual del operador. Utilice el vehículo remolcador autorizado para el peso máximo autorizado del remolque. Utilice el método correcto de acople del remolque al vehículo de tracción. Compruebe que los faros del remolque funcionan correctamente. 	<ol style="list-style-type: none"> Lire le manuel de l'opérateur. Utilisez un véhicule tracteur autorisé pour le poids maximum autorisé du remorque. Utilisez la méthode correcte de montage du remorque au véhicule tracteur. Contrôlez les feux du remorque et vérifiez leur fonctionnement.

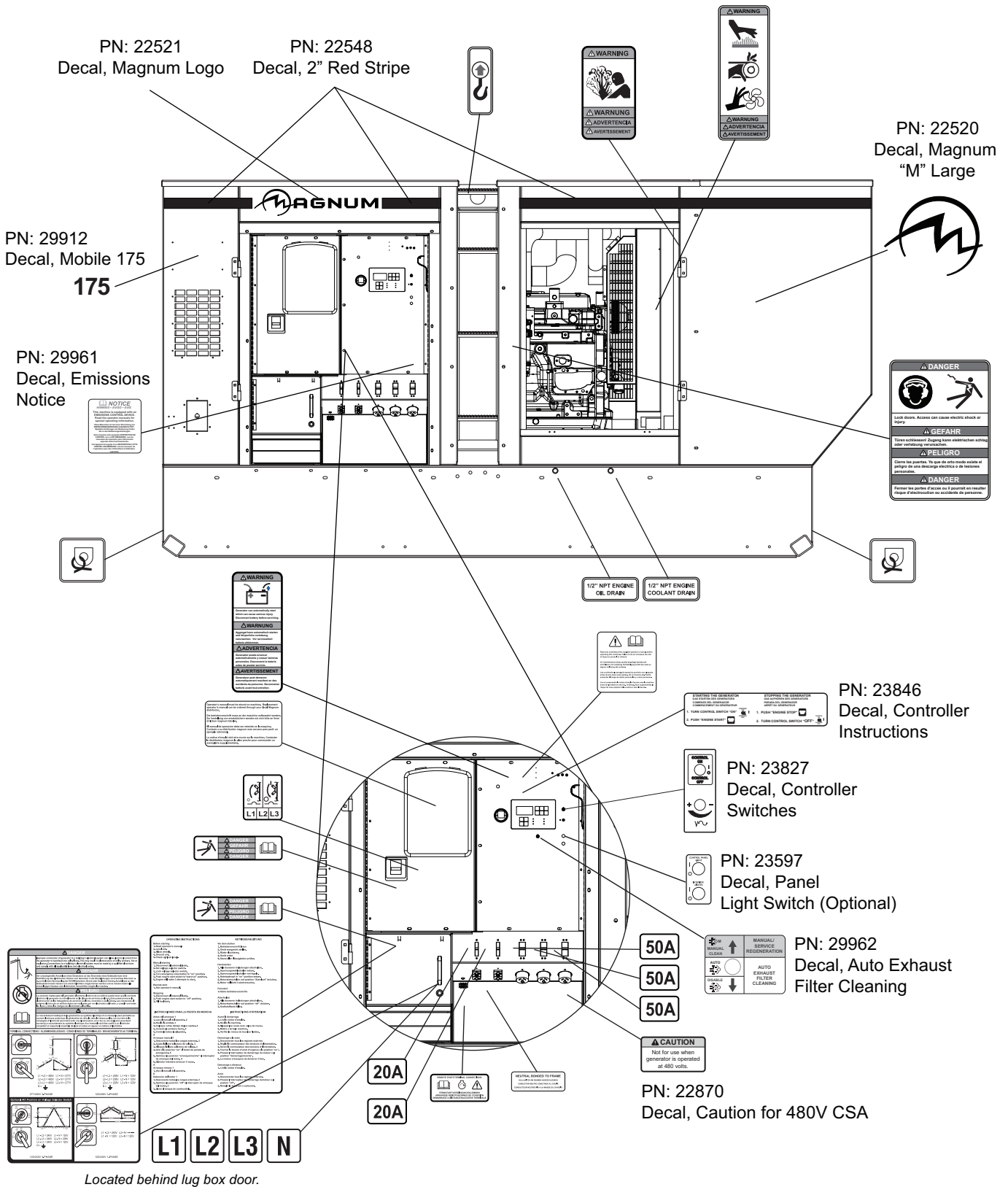
Located on tongue of trailered units.



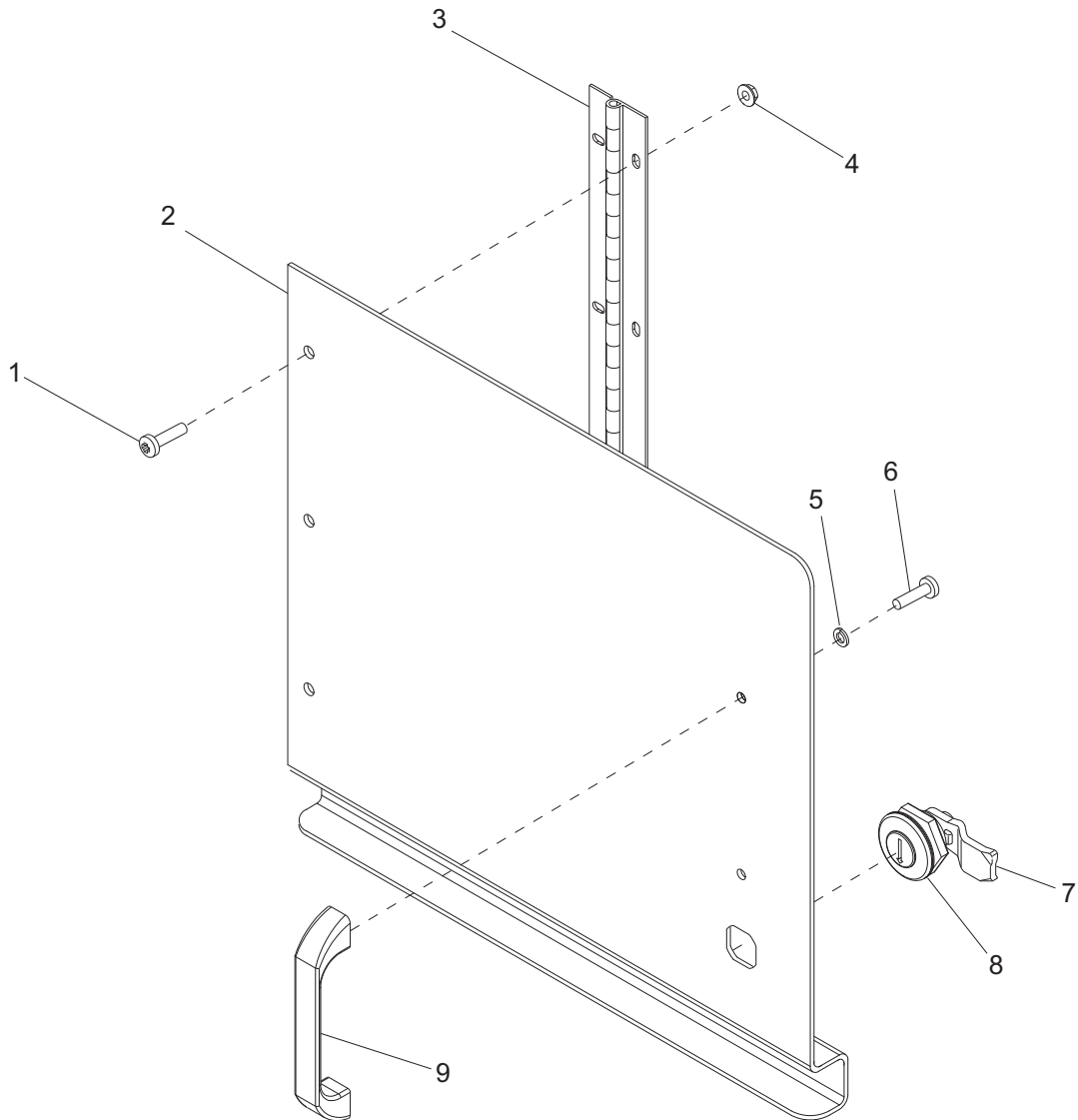
PN: 11275
Decal, Magnum Logo w/Web

Note: All safety and operating decals are located on decal sheet 23599, unless otherwise noted.

UNIT DECALS (CONTINUED)

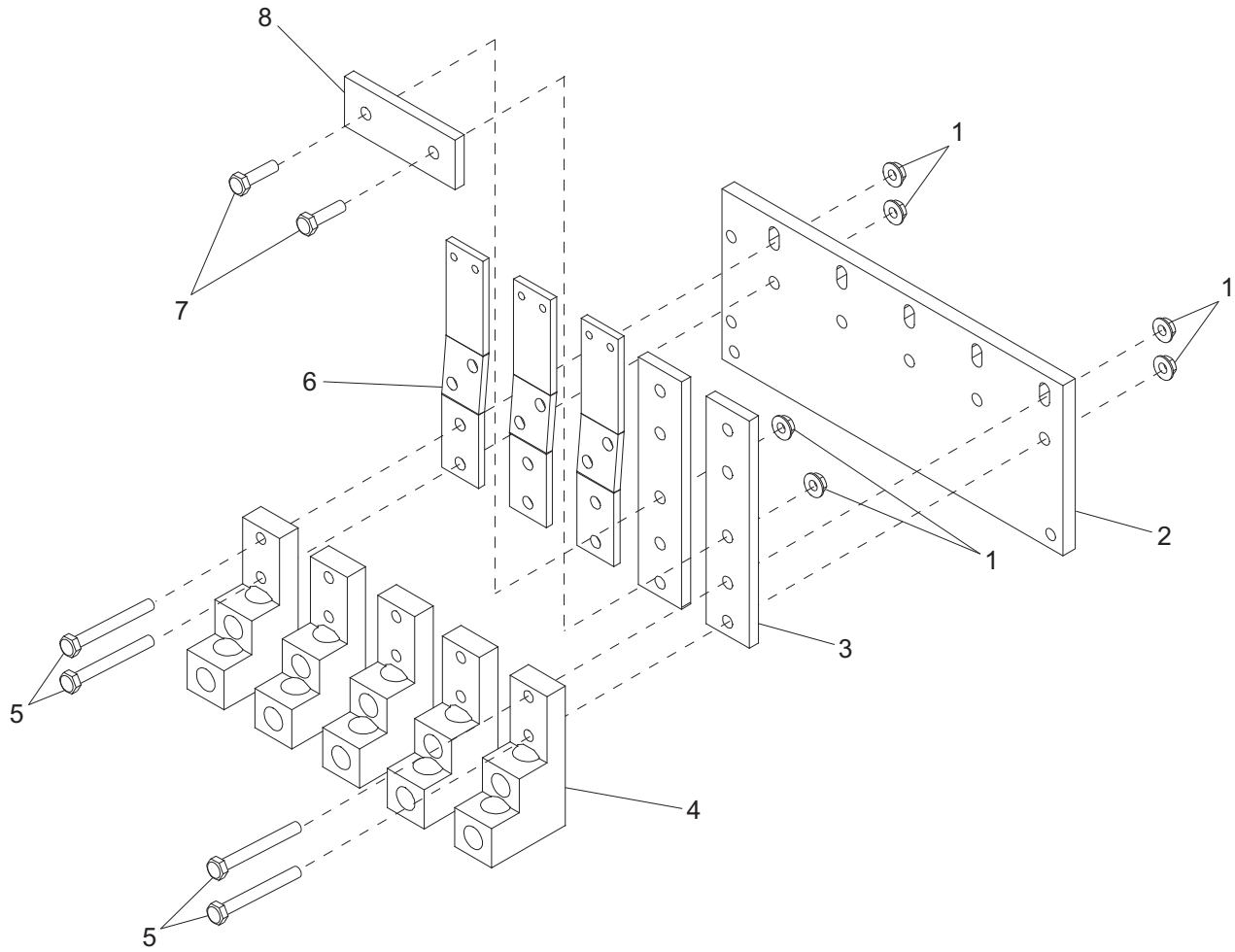


LUG BOX DOOR



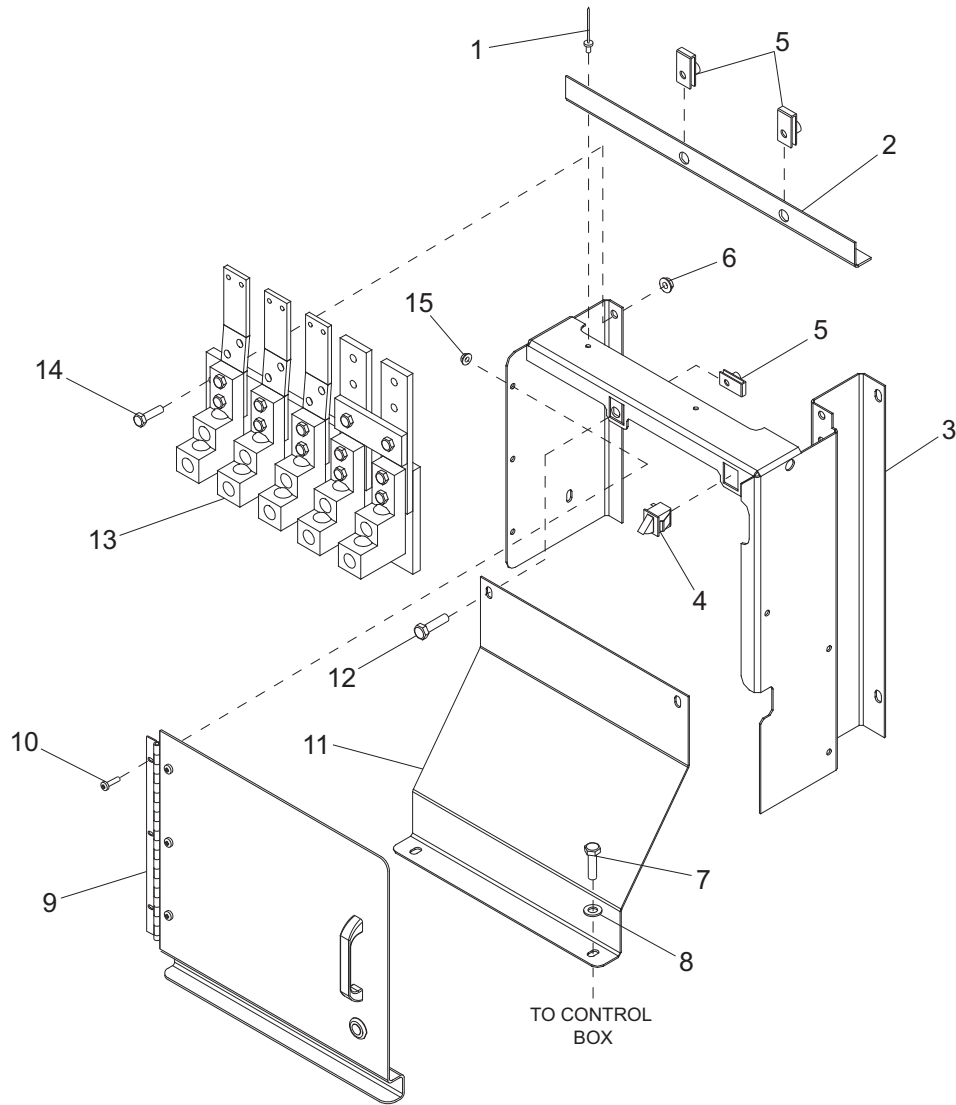
ITEM	PART NO.	QTY	DESCRIPTION	NOTES
1	60398	3	Screw, 10-32X.500 pan phil	
2	28570W	1	Door, lug box	
3	22018	1	Hinge, continuous - 10.25	
4	61045	3	Nut, 10-32 ser flg	
5	60252	2	Washer, split lock #10	
6	60068	2	Screw, 10-24X.500 pan phil	
7	12547	1	Assembly, cam lock, qtr. turn	
8	18893	1	Handle, lug door	

LUG PLATE ASSEMBLY



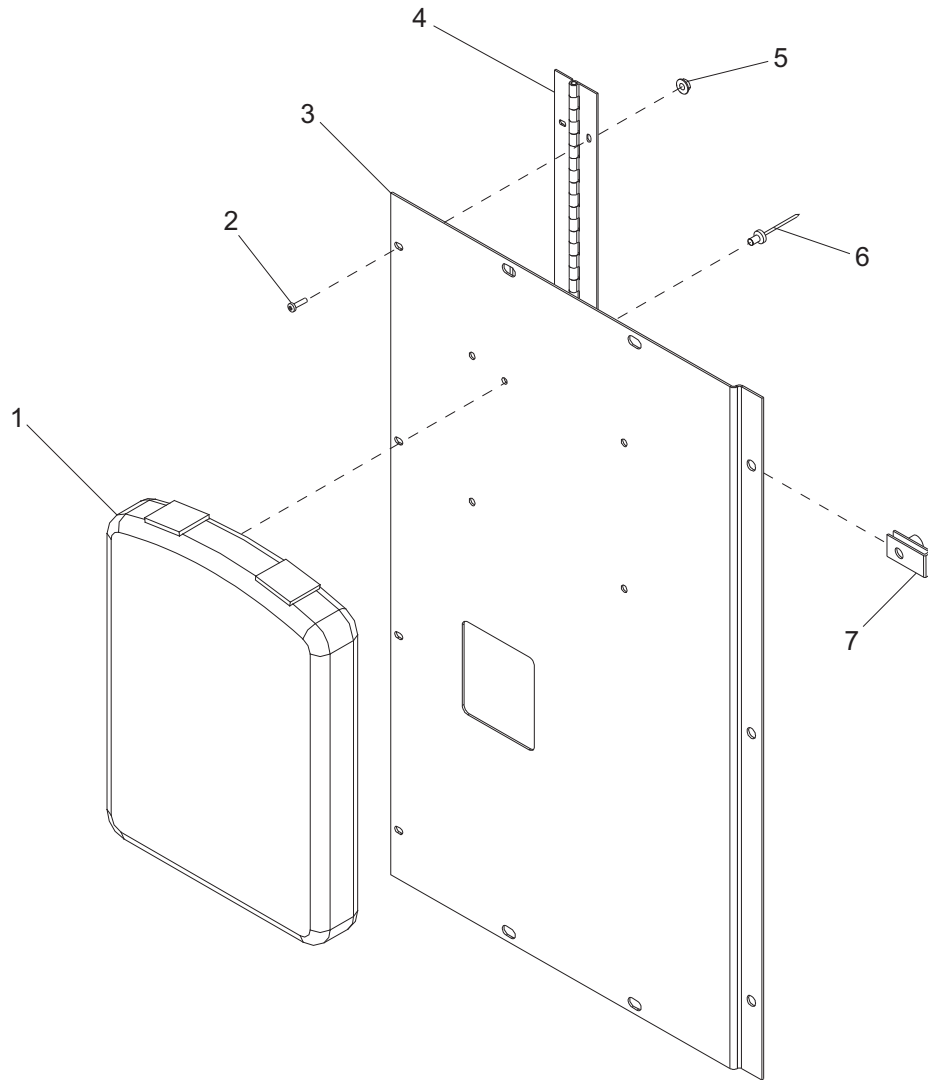
ITEM	PART NO.	QTY	DESCRIPTION	NOTES
1	60145	12	Nut, .375-16 ser flg lock	
2	27828	1	Panel, lug box glastic	
3	28584	2	Bus, lug extension	
4	65890	5	Lug, terminal dual #6-350mcm	
5	60478	10	Screw, .375-16X2.000 hx hd	
6	28567	3	Bus, main breaker out	
7	60205	2	Screw, .375-16X1" std hex	
8	28585	1	Bus, grounding link	

LUG BOX ASSEMBLY



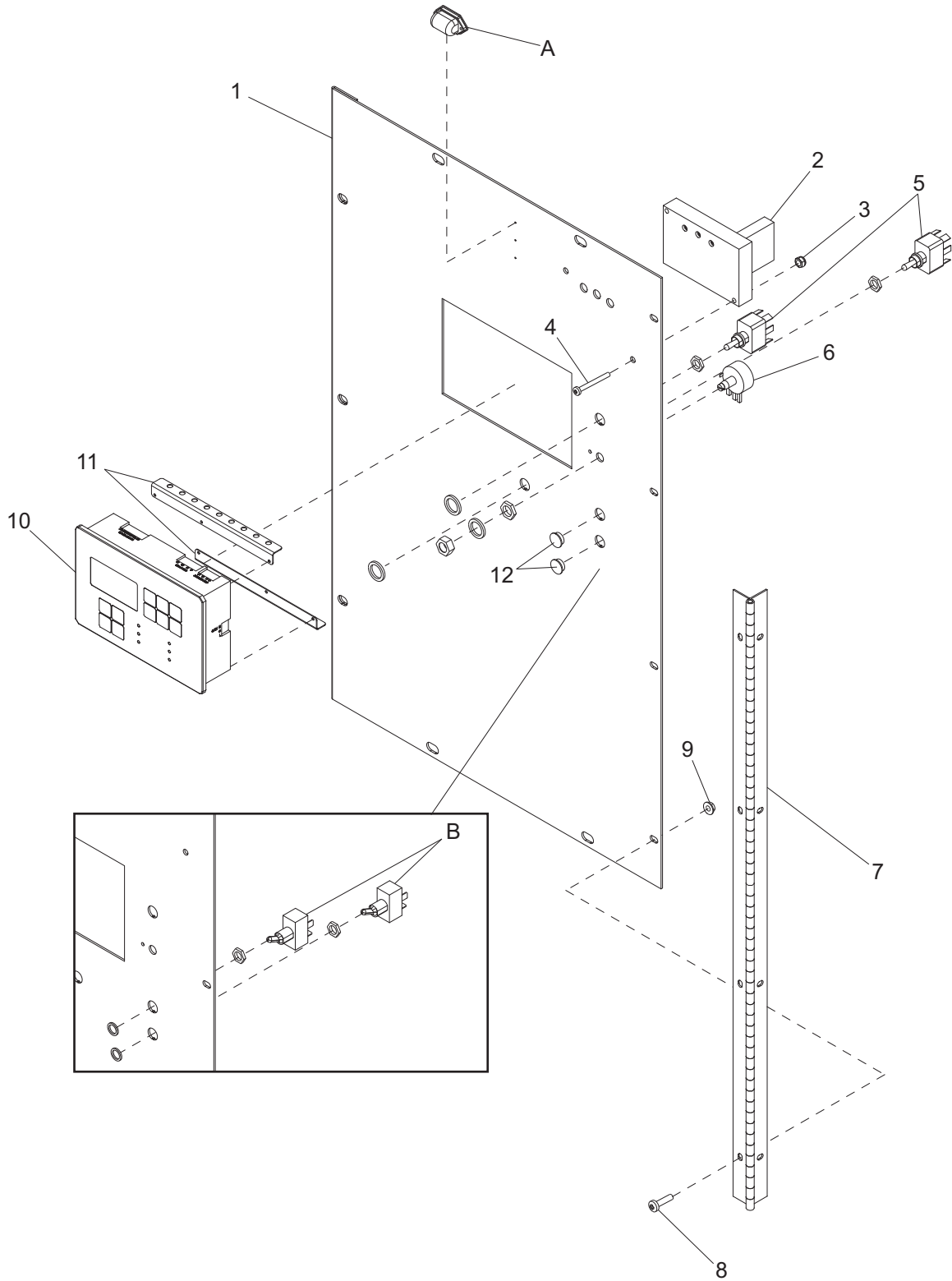
ITEM	PART NO.	QTY	DESCRIPTION	NOTES
1	60268	3	Rivet, .188 dia	
2	28583W	1	Angle, top lug box	
3	28561W	1	Box, lug enclosure	
4	12632	2	Switch, trigger safety,	N.O. & N.C.
5	60505	4	Nut, U-clip, .312-18	
6	60145	2	Nut, .375-16 ser flg lock	
7	60507	2	Screw, .312-18X1.000 hx hd	
8	60452	2	Washer, flat .313 X 1.125	
9	Page 8	1	Assembly, lug door	
10	60398	3	Screw, 10-32X.500 pan phil	
11	28569W	1	Panel, lug box outlet	
12	60168	2	Screw, .312-18X.750 hx hd	
13	Page 9	1	Assembly, lug plate	
14	60205	2	Screw, .375-16X1.000 hx hd	
15	61045	3	Nut, 10-32 ser flg	

LEFT CONTROL PANEL ASSEMBLY



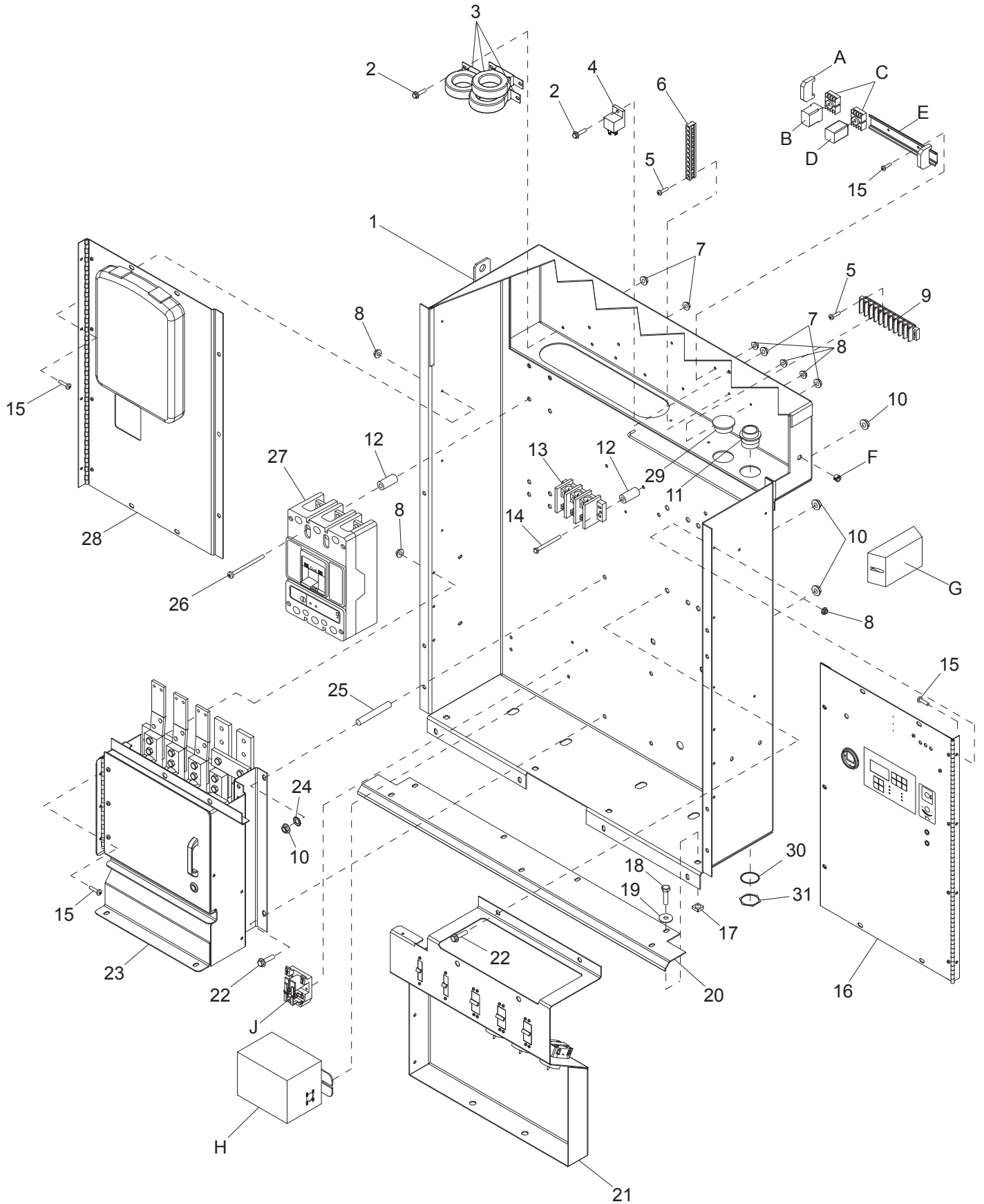
ITEM	PART NO.	QTY	DESCRIPTION	NOTES
1	24540	1	Holder, manual	
2	60398	4	Screw, 10-32X.500 pan phil	
3	28564W	1	Panel, control left	
4	22208	1	Hinge, left control panel	
5	61045	4	Nut, 10-32 sflg G5	
6	60473	4	Rivet, 3/16", closed end, alu.	
7	60505	3	Nut, U-clip, .312-18	

RIGHT CONTROL PANEL ASSEMBLY



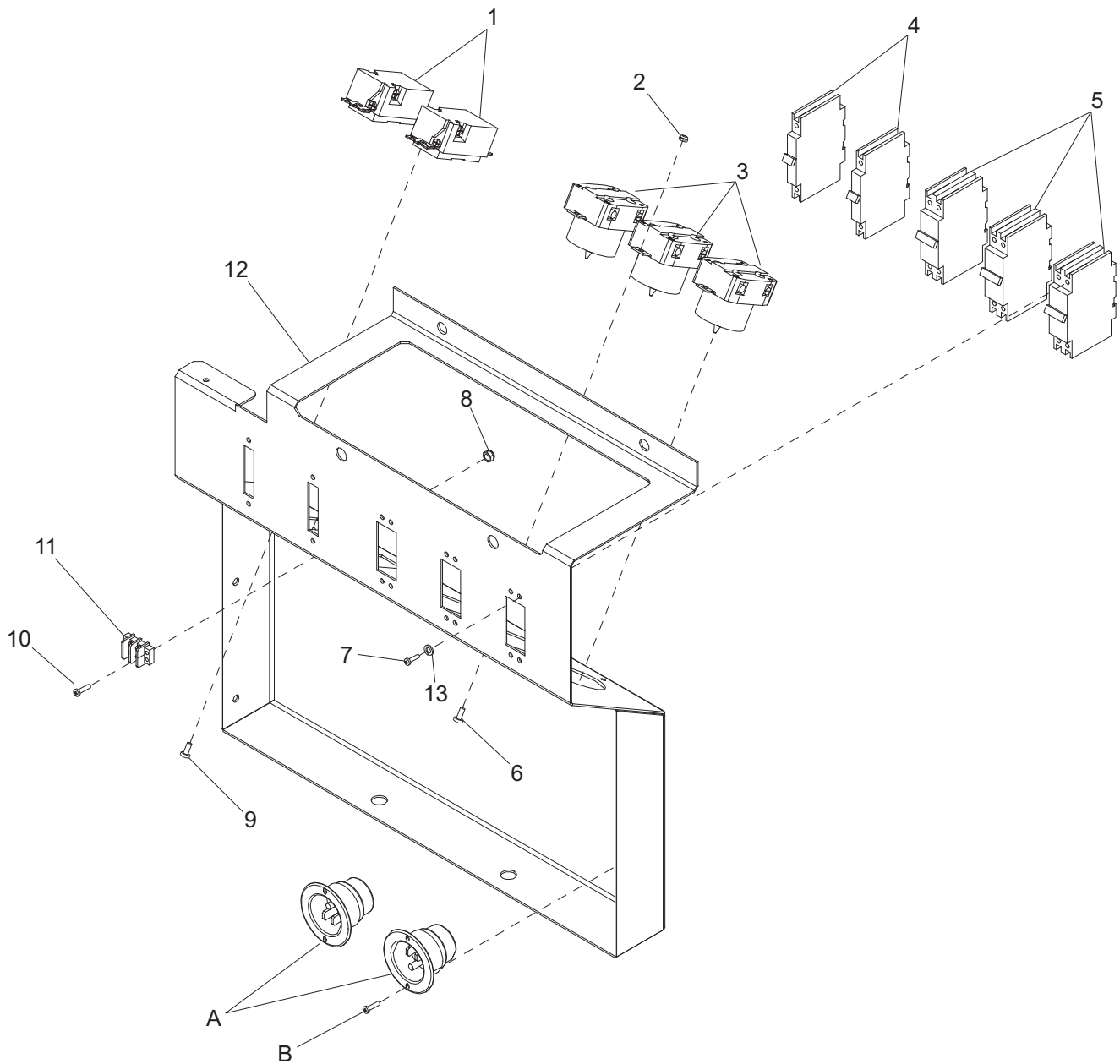
ITEM	PART NO.	QTY	DESCRIPTION	NOTES
1	30246W	1	Panel, digital control	
2	18556	1	Regulator, voltage - SE 350	
3	60270	2	Nut, 8-32 nylock	
4	60525	2	Screw, 8-32X1.500 pan phil	
5	25077	2	Switch, toggle - 20A VAC	
6	26229	1	Kit, voltage adjustment pot.	
7	22208	1	Hinge, control panel - 28"	
8	60398	4	Screw, 10-32X.500 pan phil	
9	61045	4	Nut, 10-32 ser flg G5	
10	66191	1	Controller, eng/gen - prog.	
11	29893	2	Bracket, control board wire guide	
12	60749	2	Plug, hole .500 dia. white	
--	18934	1	Guard, potentiometer	Not shown
A	23025	1	Light, interior control panel	Option
B	25077	2	Switch, toggle - 20A VAC	Option

CONTROL BOX ASSEMBLY



ITEM	PART NO.	QTY	DESCRIPTION	NOTES
1	28653B	1	Weldment, control box	
2	60175	7	Screw, .250-20X.500 sflg hex	
3	65444	3	Transformer, current	
4	66455	1	Relay, 12V 70A n.c./80A n.o. w/ diode	
5	60062	4	Screw, 10-32X.750 pan phil	
6	14204	1	Kit, ground bar	
7	60161	13	Nut, .250-20 sflg G5 ZC	
8	61045	17	Nut, 10-32 sflg G5 ZC	
9	14203	1	Block, terminal - 10 pos.	
10	60020	5	Nut, M8-1.25 sflg lock	
11	65309	1	Connector, 21 pin, deutsch	
12	28581B	6	Spacer, breaker 1.5" long	
13	65356	1	Block, terminal - 3 pole, Bussman	
14	60259	2	Screw, .250-20X2.500 std hex	
15	60398	13	Screw, 10-32X.500 pan phil	
16	Page 12	1	Assembly, right control panel	
17	15425	4	Nut, .312-18 cage G5 ZC	
18	60507	4	Screw, .312-18X1.000 std hex	
19	60452	4	Washer, .313 flat 1.125/1"	
20	28582B	1	Panel, cable guard	
21	Page 16	1	Assembly, outlet panel	
22	60114	3	Screw, M8-1.25X20 sflg hex	
23	Page 8	1	Assembly, lug box	
24	60069	1	Washer, M8 ext star ZC	
25	18992	1	Stud, ground	
26	61117	4	Screw, .250-20X4.5" pan phil	
27	65354	1	Breaker, 700A, 3 pole	
28	Page 11	1	Assembly, left control panel	
29	66044	1	Plug, Deutsch connector hole	
30	65417	1	Washer, lock, 21-pin Deutsc	
31	65416	1	Nut, Deutsh 21-pin plug	
A	65674	2	Stop, 35MM din rail end	Option
B	65645	1	Relay, voltage sensing	Option: buck transformer
C	65644	2	Base, relay - 8 pos.	Option
D	65659	1	Relay, DPDT, 12VDC, 8 pos.	Option: 4 position switch
E	66003	1	Rail, din 35MM X 6.00"	Option
F	19163	1	Fitting, bushing	Option - .500ODX.375ID
G	65326	1	Charger, battery	Option
H	21487	1	Transformer, 1.13:1 1-phase	Option: buck transformer
J	65461	1	Relay, 30A 120VAC power	Option: buck transformer

OUTLET PANEL ASSEMBLY



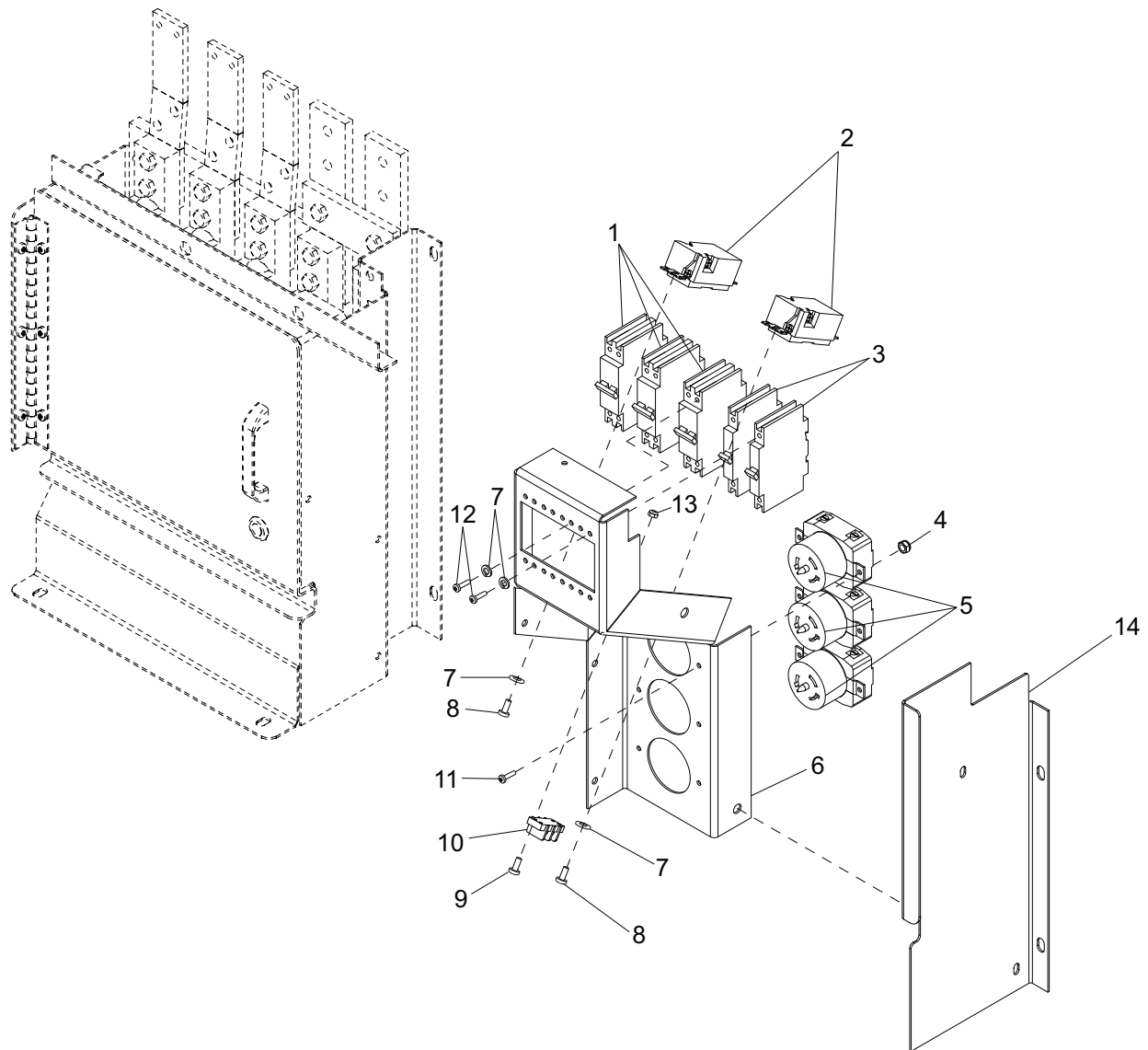
ITEM	PART NO.	QTY	DESCRIPTION
1	14130	2	Receptacle, 120V/20A GFI
2	60457	6	Nut, 10-24 nylock
3	18089	3	Receptacle, 120/240V
4	18091	2	Breaker, 20A, 240V, 1-pole
5	18092	3	Breaker, 50A, 240V, 2-pole
6	60068	6	Screw, 10-24X.500 pan phil
7	60046	16	Screw, 6-32X.750 pan phil
8	60270	2	Nut, 8-32 nylock
9	60405	4	Screw, 6-32X.250 pan phil
10	60526	2	Screw, 8-32X.500 pan phil
11	18890	1	Block, terminal - 2 pos
12	26355W	1	Panel, outlets
13	60058	16	Washer, split lock #6
A	65285	2	Receptacle, 120V/15A inlet
B	60480	4	Screw, 10-16X.750 pan phil

NOTES

50A twist lock

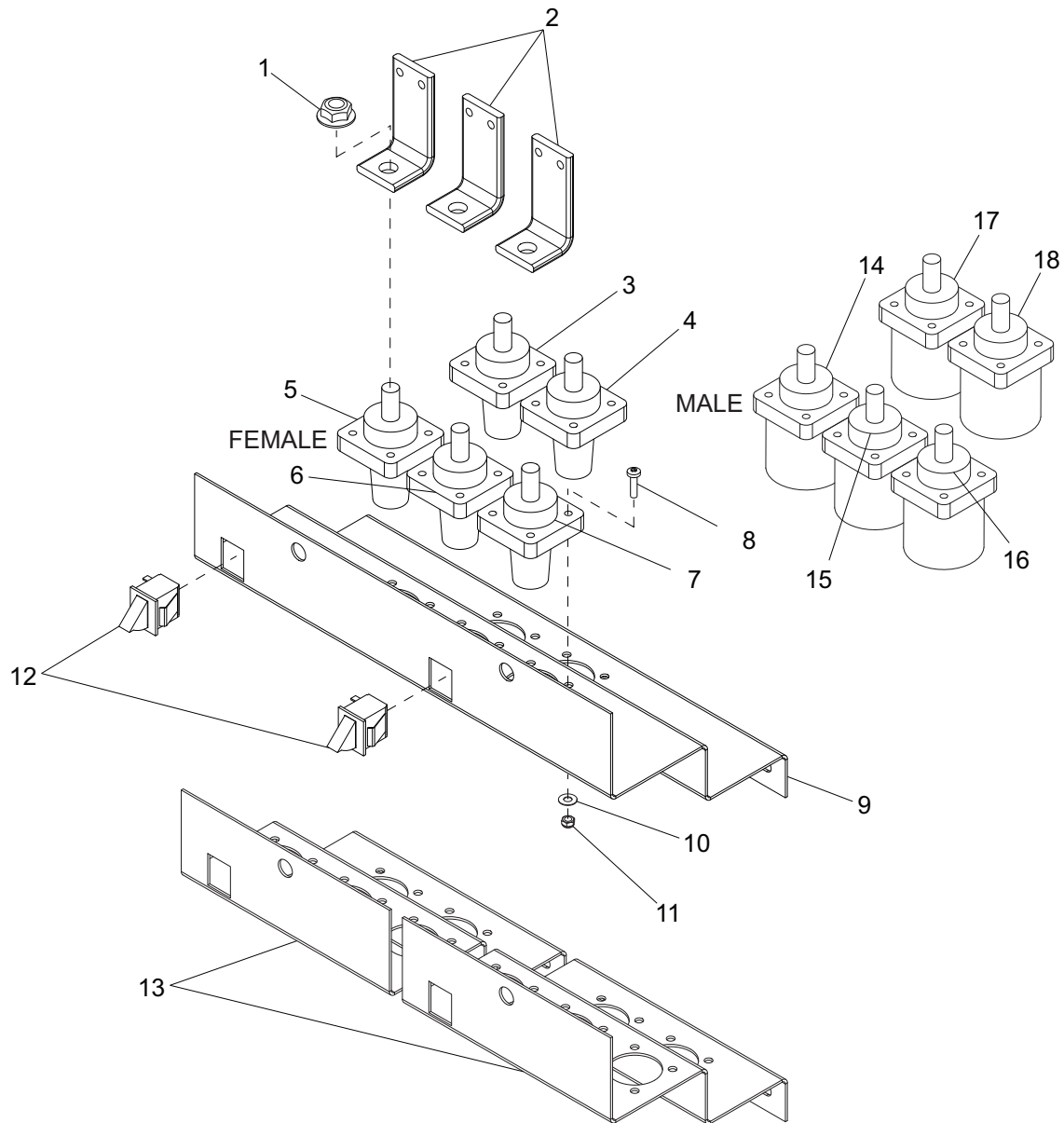
Option: Edison plug
Option: Edison plug

OUTLET PANEL ASSEMBLY FOR CAM LOCK OPTIONS



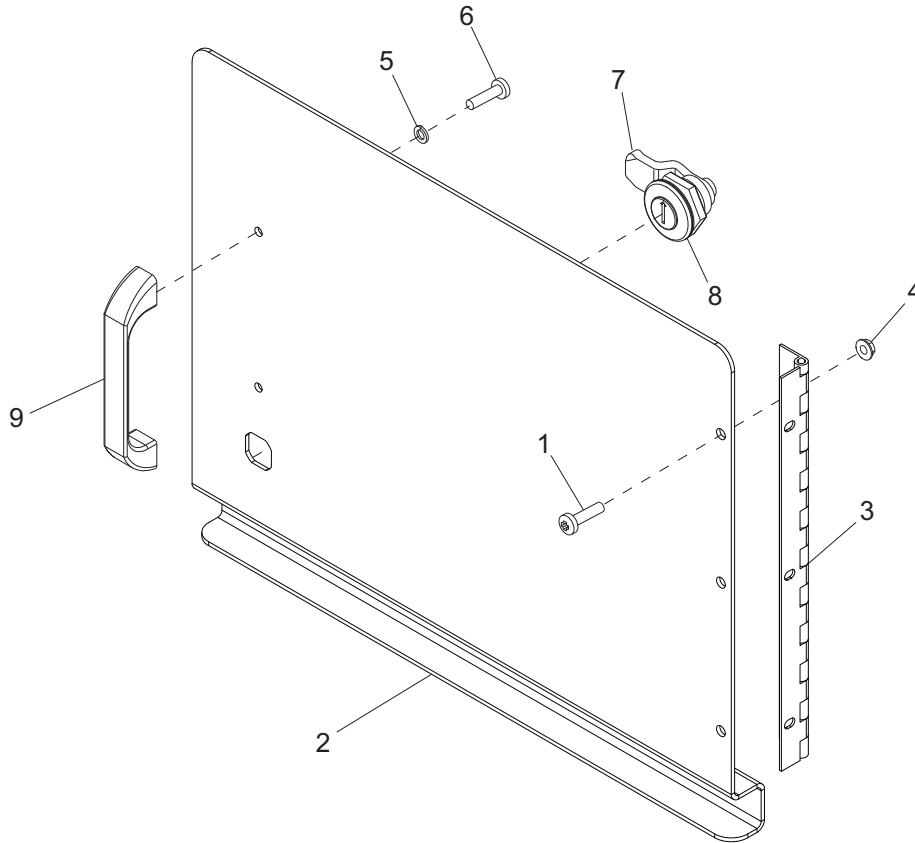
ITEM	PART NO.	QTY	DESCRIPTION	NOTES
1	18092	3	Breaker, 50A, 240V, 2-pole	
2	14130	2	Receptacle, 120V/20A GFI	
3	18091	2	Breaker, 20A, 240V, 1-pole	
4	60457	6	Nut, 10-24 nylock	
5	18089	3	Receptacle, 120/240V	50A twist lock
6	28571W	1	Panel, outlets	
7	60058	20	Washer, split lock #6	
8	60405	4	Screw, 6-32X.250 pan phil	
9	60526	2	Screw, 8-32X.500 pan phil	
10	18890	1	Block, terminal - 2 pos	
11	60068	6	Screw, 10-24X.500 pan phil	
12	60046	16	Screw, 6-32X.750 pan phil	
13	60270	2	Nut, 8-32 nylock	
14	26161W	1	Panel, cam lock box	

CAM LOCK PANEL ASSEMBLY OPTIONS



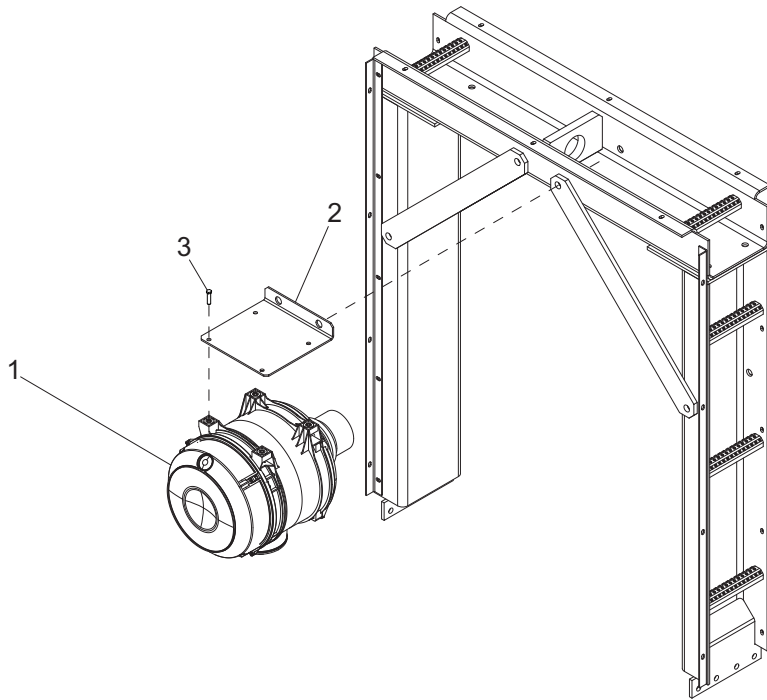
ITEM	PART NO.	QTY	DESCRIPTION	NOTES
1	60098	3	Nut, .500-13 ser flg	
2	28565	3	Bus, cam lock mount	
3	66040	1	Connector, cam lock fml - white	
4	66041	1	Connector, cam lock fml - green	
5	65551	1	Connector, cam lock fml -black	
6	65552	1	Connector, cam lock fml - red	
7	65553	1	Connector, cam lock fml - blue	
8	60488	20	Screw, 8-32X.750 pan phil	
9	28591W	1	Panel, cam lock mounting	Single cam
10	60237	20	Washer, #10 flat .495/.036	
11	60061	20	Nut, 10-32 nytk G5	
12	12632	2	Switch, trigger safety	N.O. & N.C.
13	28574W	2	Panel, cam lock mounting	Dual cam
14	66037	1	Conn. cam lock ml - black	
15	66038	1	Conn. cam lock ml - red	
16	66039	1	Conn. cam lock ml - blue	
17	65554	1	Conn. cam lock ml - white	
18	65555	1	Conn. cam lock ml - green	

CAM LOCK DOOR ASSEMBLY (OPTIONAL)



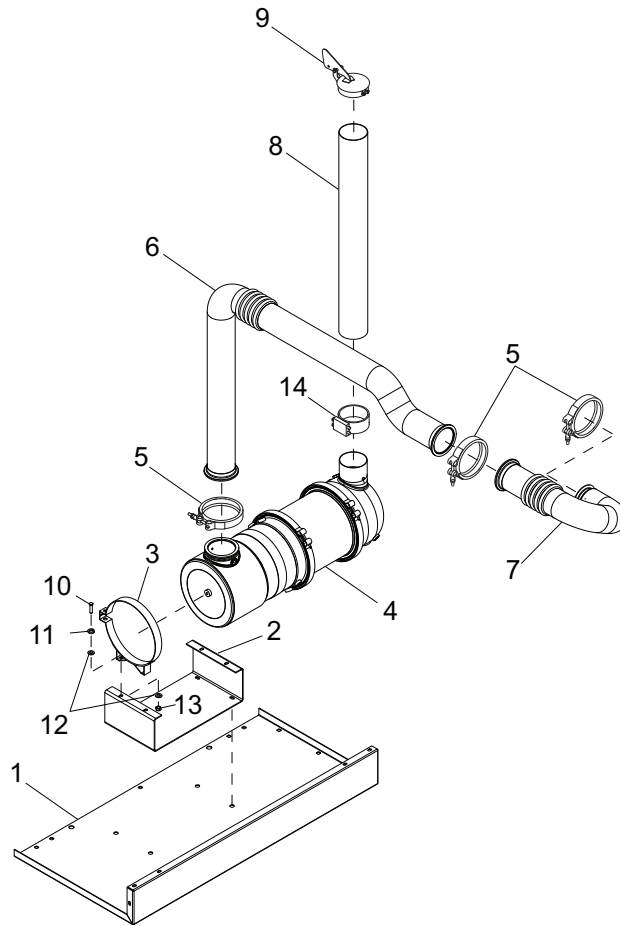
ITEM	PART NO.	QTY	DESCRIPTION	NOTES
1	60398	3	Screw, 10-32X.500 pan phil	
2	28575W	1	Panel, cam lock door	
3	22018	1	Hinge, continuous - 10.25"	
4	61045	3	Nut, 10-32 ser flg	
5	60252	2	Washer, split lock #10	
6	60068	2	Screw, 10-24X.500 pan phil	
7	12547	1	Assembly, cam lock, qrtr turn	
8	18893	1	Handle, lug door	

AIR FILTER ASSEMBLY



ITEM	PART NO.	QTY	DESCRIPTION	NOTES
1	29765	1	Filter, air 150-185	
2	29935B	1	Bracket, air filter - 175	
3	60507	4	Screw, .312-18 x 1.00 std hex 18-8 ss	
-	30561	1	Element, air filter	Not shown
-	30562	1	Element, air filter safety	Not shown

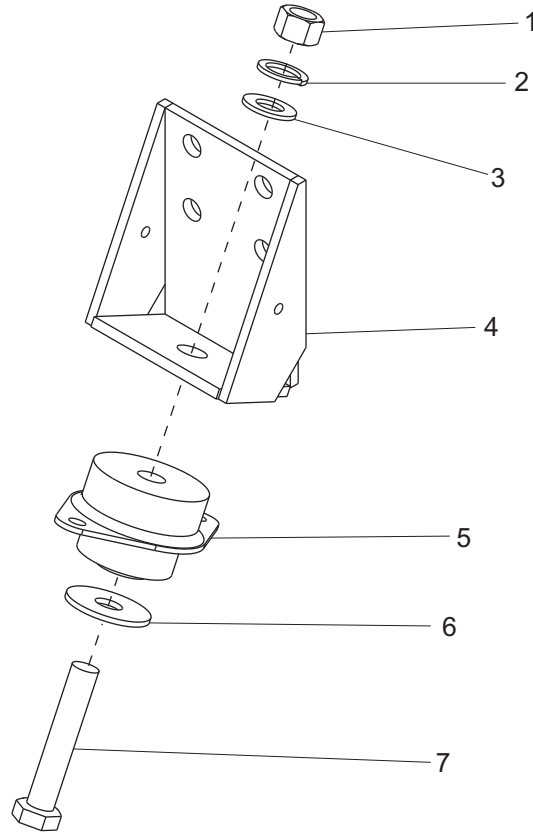
EXHAUST SYSTEM ASSEMBLY



ITEM	PART NO.	QTY	DESCRIPTION	NOTES
1	29848B	1	Panel, lower bulkhead	
2	29872B	1	Bracket, DFP filter support	
3	21094	2	Clamp, air filter - I.D. 10.2	
4	-	1	Filter, exhaust - size 5 1/2	Contact John Deere Service Center for replacement
5	29879	3	Clamp, v-band - 4.00 I.D./4.75 O.D.	
6	29852	1	Pipe, exh DPF conn. - 175 weld	
7	29832	1	Pipe, exhaust engine out weldment	
8	29942	1	Pipe, exhaust DPF out	
9	21090	1	Cap, rain 4.00	
10	60507	4	Screw, .312-18 x 1.00 std hex 18-8 ss	
11	60271	4	Washer, .312 split lock zc	
12	60340	8	Washer, .312 flat .875/.040 18-8 ss	
13	60285	4	Nut, .312-18 hex G2 zc	
14	26310	1	Clamp, muffler - 4.00 wide band	

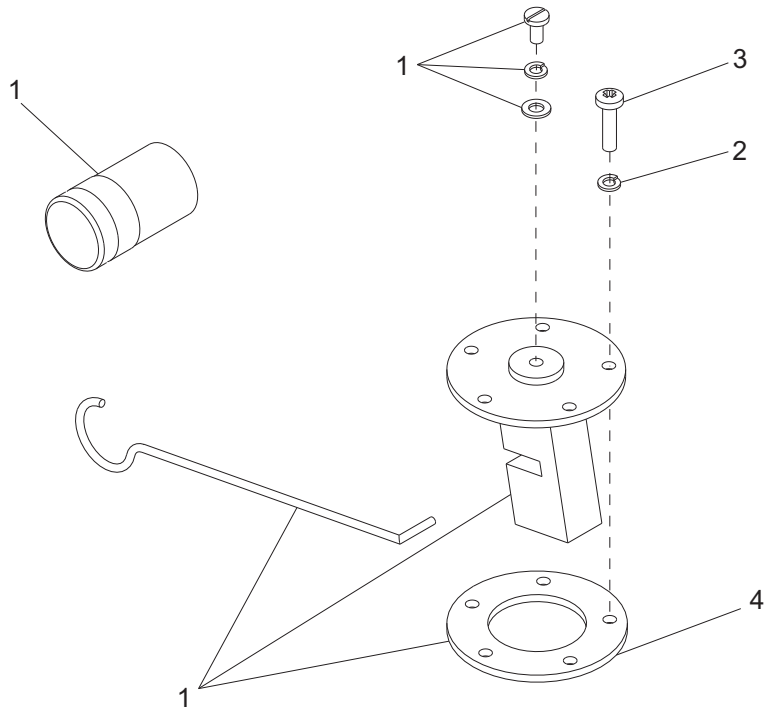
Note: Engine and generator parts used in all Magnum Products LLC equipment carry the Original Equipment Manufacturer (OEM) warranty unless otherwise stated. OEM warranty parts must be purchased through an OEM dealer. Please contact Magnum Products LLC with questions.

ENGINE MOUNT ASSEMBLY



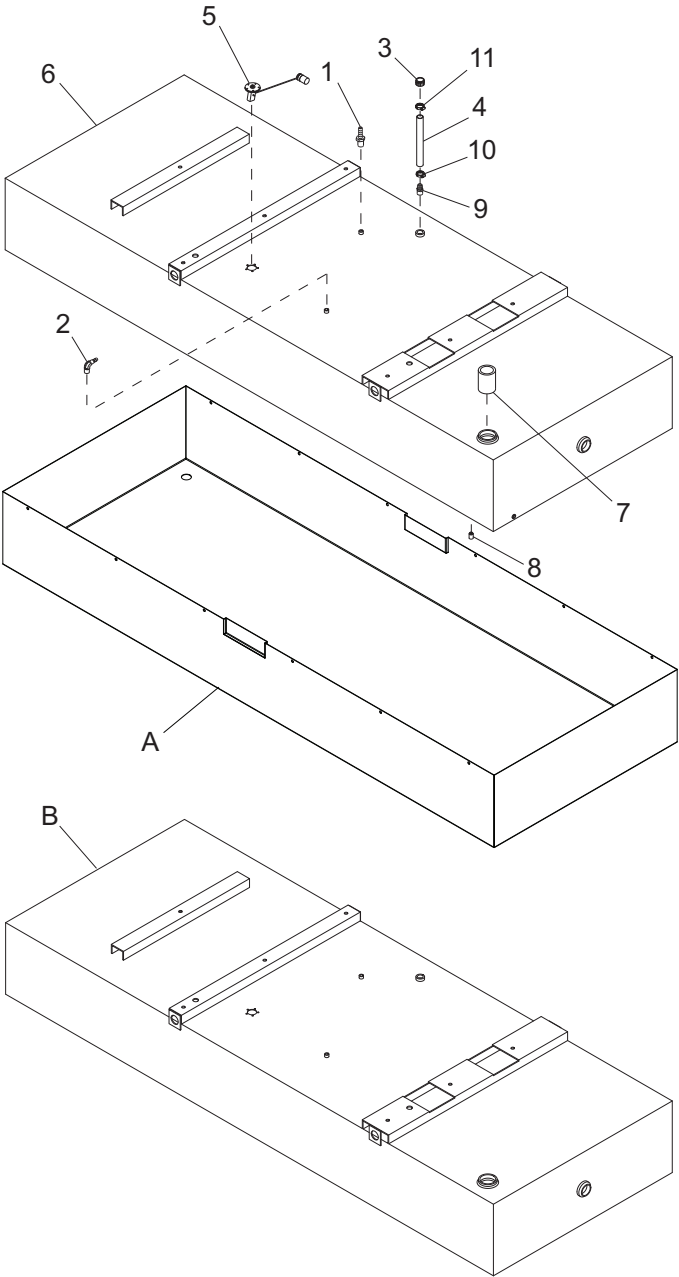
ITEM	PART NO.	QTY	DESCRIPTION	NOTES
1	60520	1	Nut, .625 - 11 hx hd	
2	60522	1	Washer, .625 split lock	
3	60521	1	Washer, .625 flat	
4	19712B	1	Weldment, engine mount	
5	18084	1	Shock mount, rubber	
6	18086	1	Washer, snubber	
7	60519	1	Screw, .625 - 11 x 3.500 hx	

FUEL LEVEL SENDING UNIT ASSEMBLY



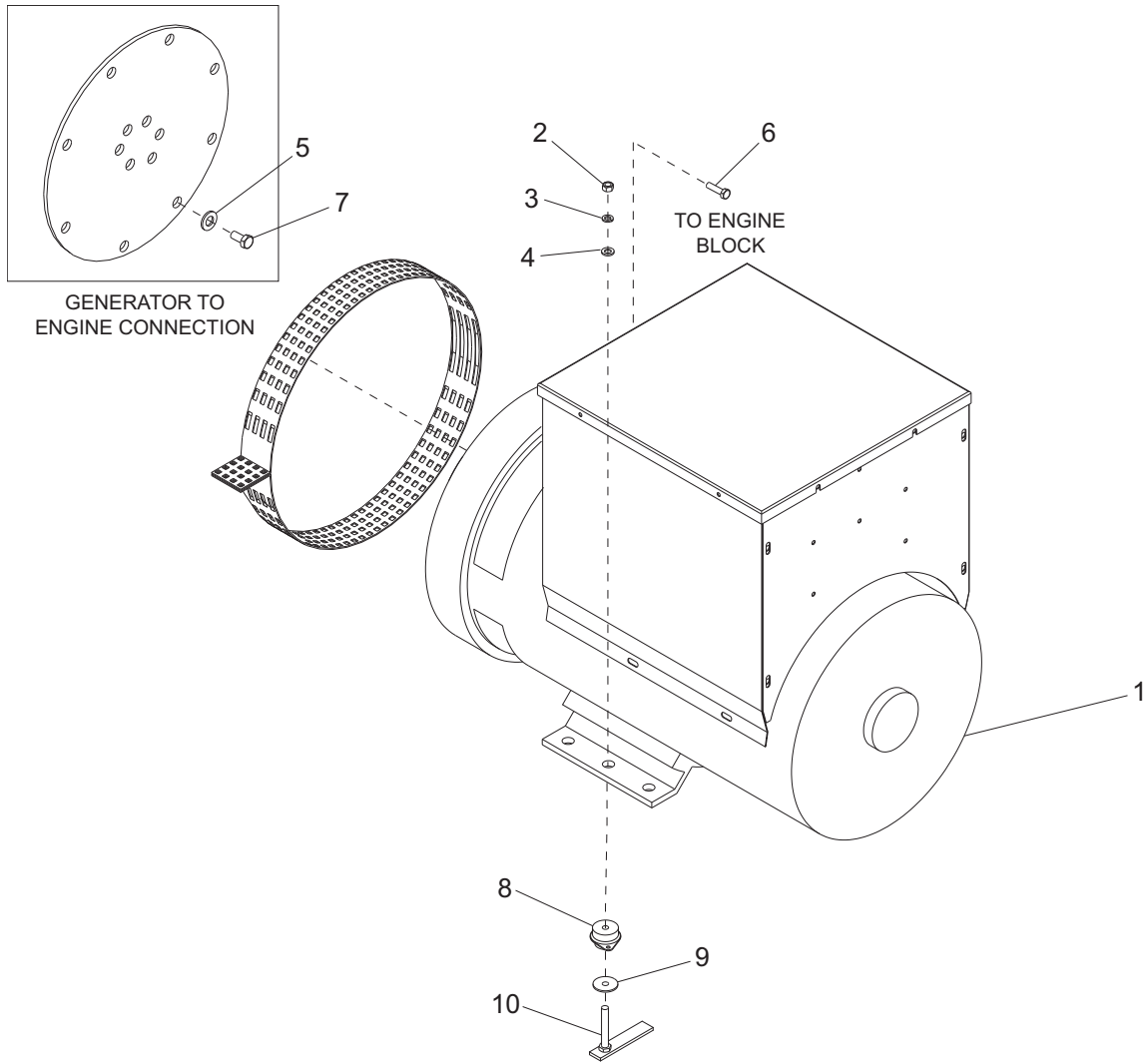
ITEM	PART NO.	QTY	DESCRIPTION	NOTES
1	20571	1	Sender, fuel	
2	60252	5	Washer, split lock #10	
3	60062	5	Screw, 10-32X.750 pan phil	
4	22323	1	Gasket, fuel sending unit	

FUEL TANK ASSEMBLY



ITEM	PART NO.	QTY	DESCRIPTION	NOTES
1	19180	1	Fitting, hose barb - .375MNPT x .312	
2	15693	1	Fitting, 90° barb brs - .250NPT x .312	
3	26379	1	Vent, plastic fuel - 1"	
4	50019	4ft.	Hose, fuel - 1" SAE 20R3 D-2	
5	Page 23	1	Assembly, fuel level sender	
6	22104B	1	Tank, fuel - 350 gallon	
7	19778	1	Nipple, pipe - 2.00 NPT X 4"	
8	18394	1	Plug, .500NPT X hex socket	
9	21451	1	Fitting, Strt - 1.00MNPT x 1.00 barb	
10	19338	1	Clamp, hose - SAE16	
11	62040	1	Clamp, hose - 1.5 fuel hose crimp style	
A	23683B	1	Weldment, containment pan	Option
B	30052B	1	Tank, fuel - 350 gal. UN31A rated	

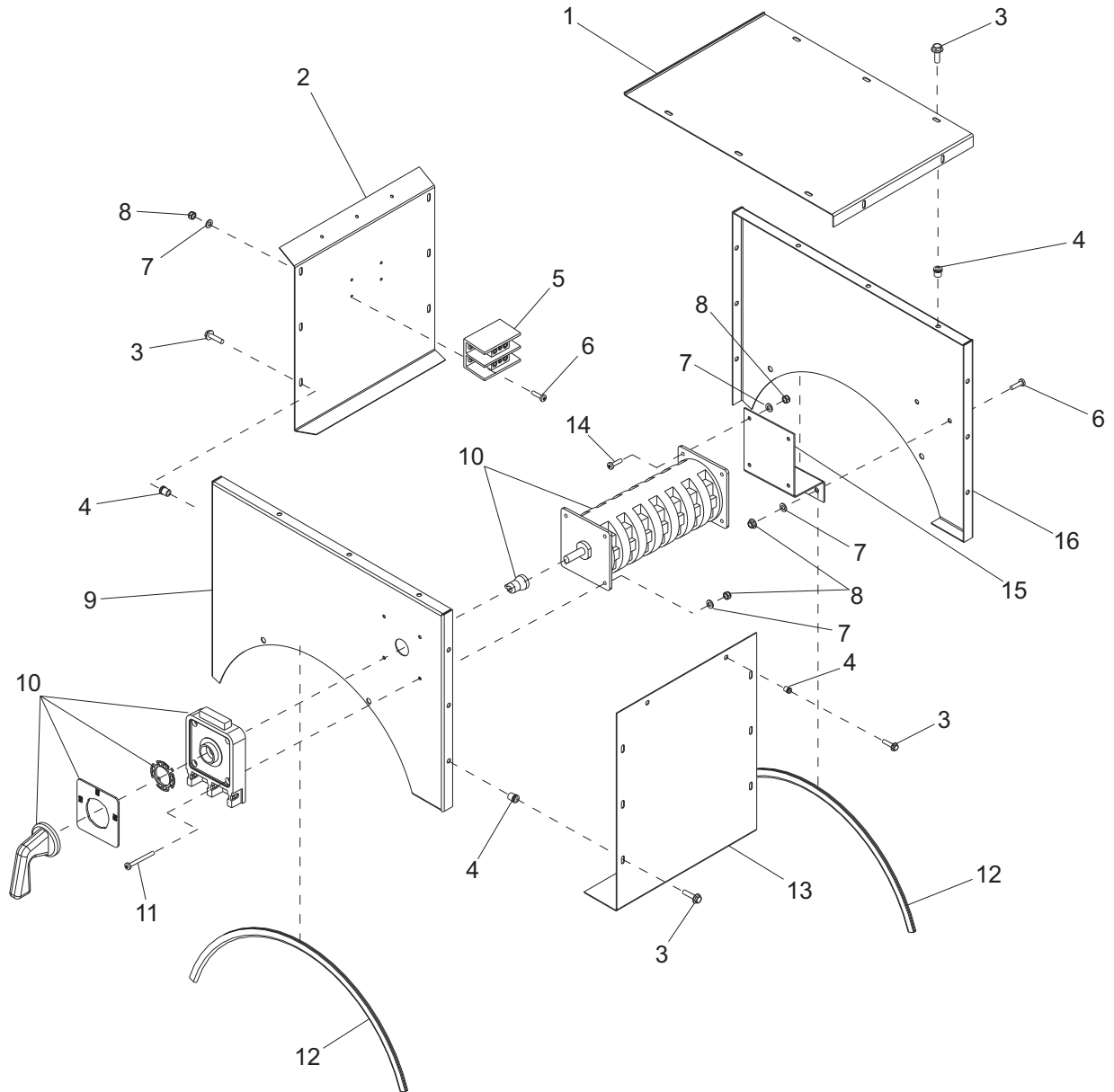
GENERATOR TO ENGINE ASSEMBLY



ITEM	PART NO.	QTY	DESCRIPTION	NOTES
1	19508	1	Generator, 431PSL6202	
2	60520	2	Nut, .625-11 hex	
3	60522	2	Washer, .625 split lock	
4	60193	2	Washer, flat M16	
5	60151	8	Washer, flat .375	
6	60179	12	Screw, .375-16X.750 hx	
7	60055	8	Screw, M10X1.25X35 hx	
8	18084	2	Shock mount, rubber	
9	18086	2	Washer, snubber	
10	27168	2	Anti-turn bolt .625 X 4.00"	
--	23165	1	Generator, 432PSL6210	Option: Super start

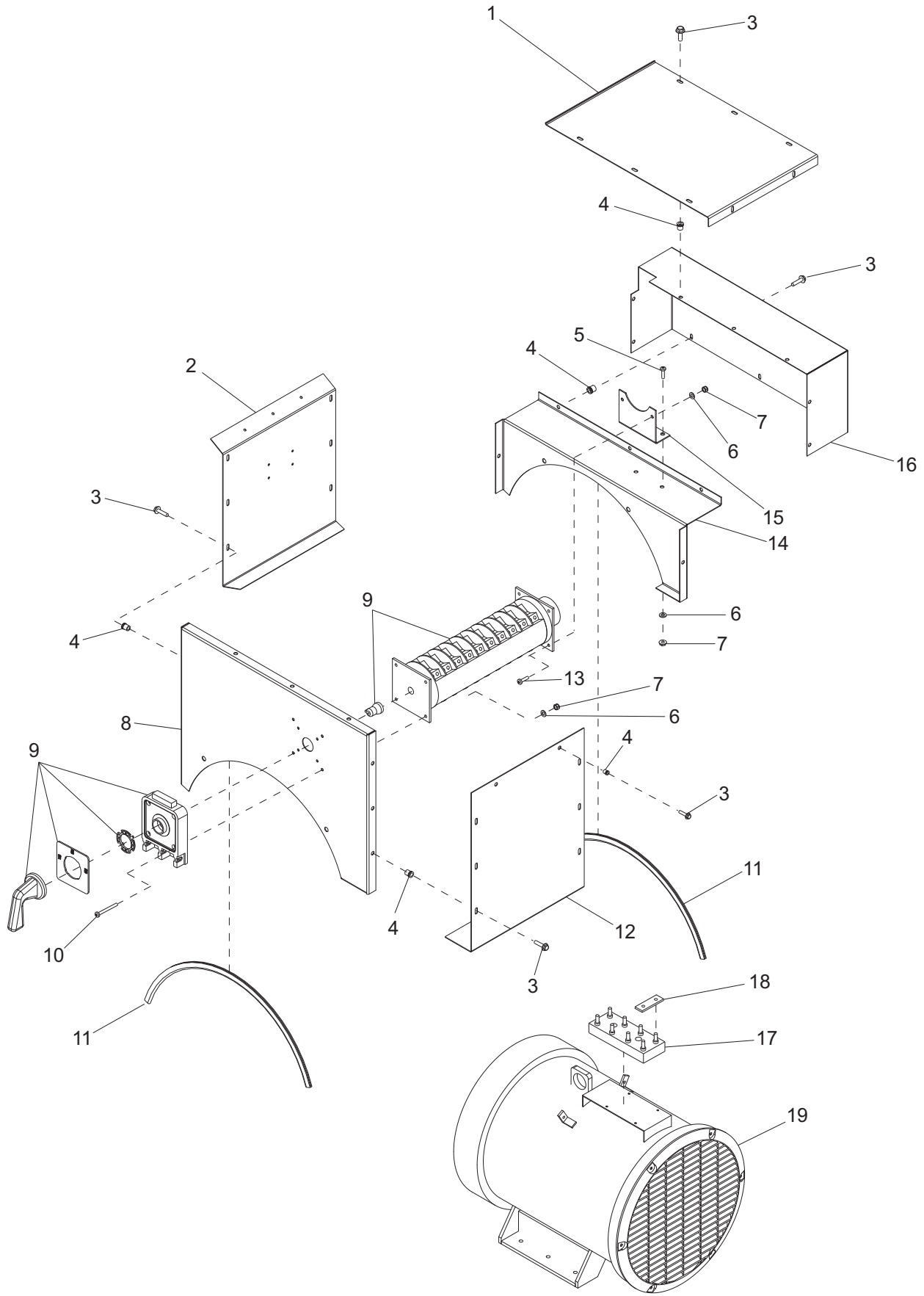
Note: Engine and generator parts used in all Magnum Products LLC equipment carry the Original Equipment Manufacturer (OEM) warranty unless otherwise stated. OEM warranty parts must be purchased through an OEM dealer. Please contact Magnum Products LLC with questions.

GENERATOR BOX ASSEMBLY
3-position voltage selector switch



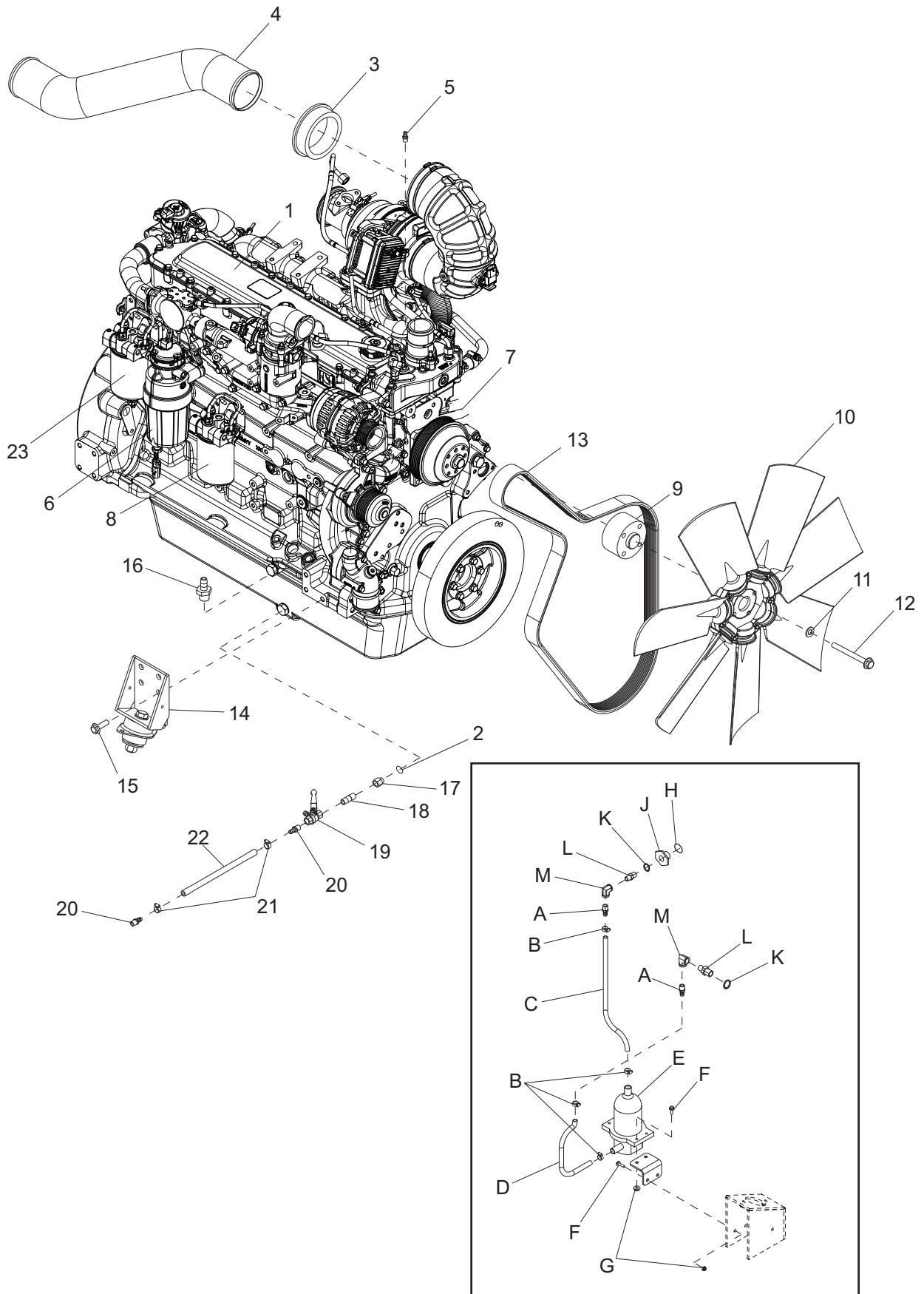
ITEM	PART NO.	QTY	DESCRIPTION	NOTES
1	22243B	1	Panel, generator box top	
2	22241B	1	Panel, generator box right	
3	60115	20	Screw, M6X1.0X12 hx ser flg	
4	60023	20	Insert, M6 threaded	
5	65165	1	Block , terminal - 2 pole	
6	60156	6	Screw, M5X0.8X16 pan phil	
7	60041	14	Washer, flat M5	
8	60038	14	Nut, M5 hx nylock	
9	22239B	1	Panel, generator box front	
10	18103	1	Switch, phase - 315A, 3-pos	
11	60167	4	Screw, M5X0.8X35 pan phil	
12	19046	2	Seal, generator box	
13	22240B	1	Panel, generator box left	
14	60037	4	Screw, M5X0.8X20 pan phil	
15	20178B	1	Bracket, phase switch	
16	22242B	1	Panel, generator box rear	

GENERATOR BOX ASSEMBLY
4-position voltage selector switch



ITEM	PART NO.	QTY	DESCRIPTION	NOTES
1	22243B	1	Panel, generator box top	
2	22241B	1	Panel, generator box right	
3	60115	23	Screw, M6X1.0X12 hx ser flg	
4	60023	23	Insert, M6 threaded	
5	60156	6	Screw, M5X0.8X16 pan phil	
6	60041	12	Washer, flat M5	
7	60038	12	Nut, M5 hx nylock	
8	22239B	1	Panel, generator box front	
9	65688	1	Switch, phase - 315A, 4-pos	
10	60167	4	Screw, M5X0.8X35 pan phil	
11	19046	2	Seal, generator box	
12	22240B	1	Panel, generator box left	
13	60037	2	Screw, M5-0.8X20 pan phil	
14	23730B	1	Panel, generator box rear	
15	28595B	1	Bracket, phase switch	
16	23731B	1	Box, rear generator extension	
17	65740	1	Lug block, 4 pos	
18	18935	4	Lug, switch ext. terminal	
19	23165	1	Generator, 432PSL6210	Super start

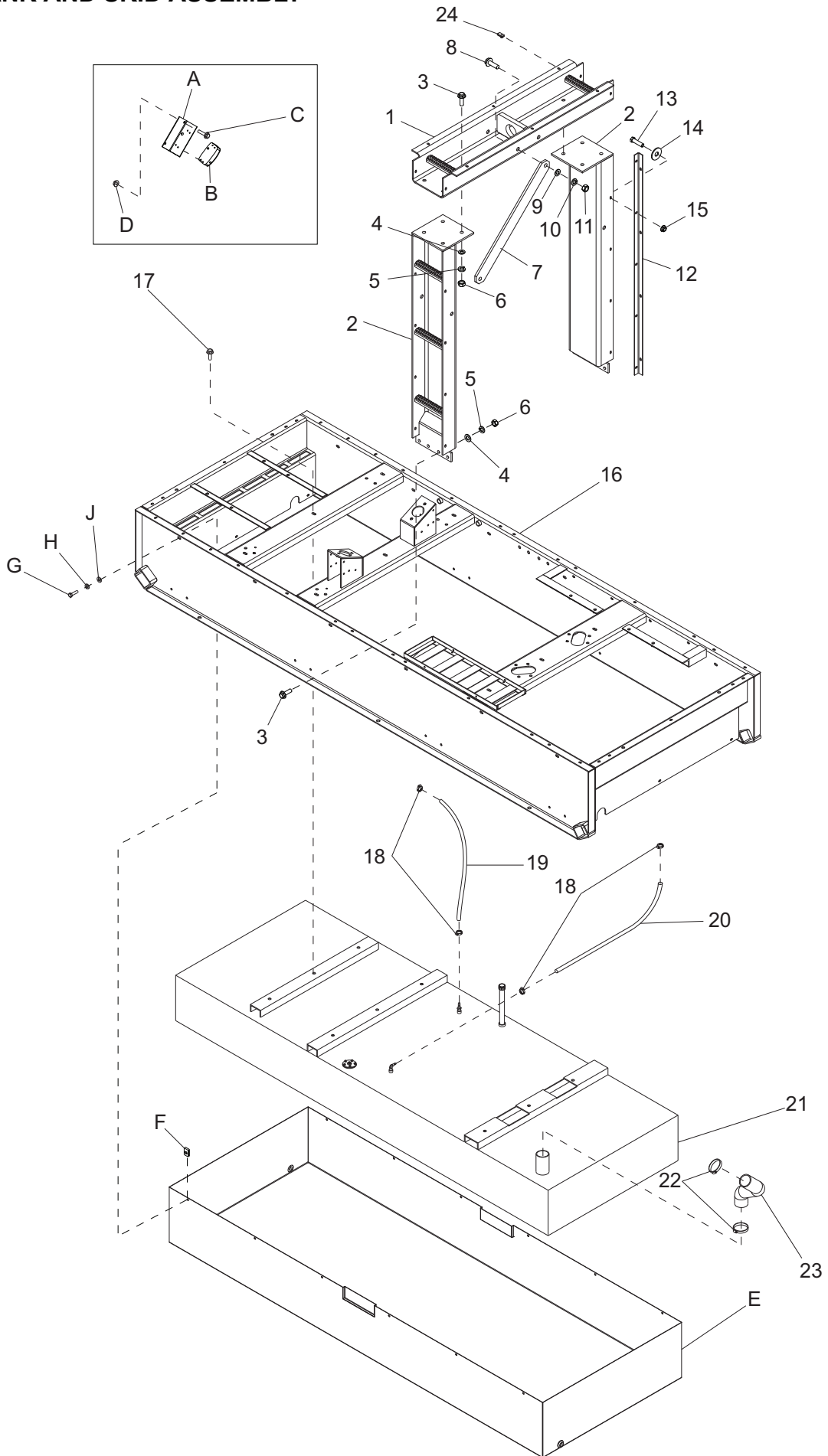
ENGINE ASSEMBLY



ITEM	PART NO.	QTY	DESCRIPTION	NOTES
1	27808	1	Engine, Deere 6068HFG94 - iT4 - 241hp	
2	19467	1	Seal, M22	
3	20181	1	Insert, air hose reducer 4.0-5.0	
4	29919	1	Pipe, air filter inlet	
5	61111	1	Fitting, M12X1.5 - .250 barb	
6	32253	1	Filter element, fuel - final	
7	32249	1	Filter element, OVR	
8	32245	1	oil filter	
9	29767	1	Spacer, fan - 175	
10	26836	1	Fan, engine - 31"	
11	60027	4	Washer, flat M10	
12	63162	4	Screw, M10X1.5X100 hx	
13	32248	1	Belt, fan/alternator	
14	Page 22	2	Assembly, engine mount	
15	60072	6	Screw, M12X25 hx ser flg	
16	25496	1	Fitting, hose barb	.750NPTM x 1"
17	19307	1	Fitting, .500FNPT X M22X1.5	
18	60438	1	Nipple, pipe - .500 NPT	
19	19279	1	Valve, ball 90 - .500 NPT	
20	60502	2	Fitting, hose barb	.500MNPT x .625
21	60365	2	Clamp, hose - .56-1.06	
22	50201	1.54 ft.	Hose, - .625 I.D.	
23	32246	1	Fuel filter, primary	
--	32247	1	Kit, primary and final fuel filter	Items 6 & 23
--	24947	--	Assembly, engine	Items 1 - 37
A	60502	2	Fitting, hose barb	Option: coolant heater
B	60365	4	Clamp, hose - .56-1.06	Option: coolant heater
C	50201	2 ft.	Hose, coolant - .625 I.D.	Option: coolant heater
D	50201	2 ft.	Hose, coolant - .625 I.D.	Option: coolant heater
E	25939	1	Heater, 120V, 1800W	Option: coolant heater
F	60024	4	Screw, M6X1.0X25 hx ser flg	Option: coolant heater
G	60036	4	Nut, M6 hx ser flg lock	Option: coolant heater
H	22589	1	O ring, 1.625"	Option: coolant heater
J	22588	1	Fitting, O ring seal - 1.625 x M18	Option: coolant heater
K	19466	2	Seal, M18	Option: coolant heater
L	19257	2	Fitting, O ring seal - .500MNPT	Option: coolant heater
M	22462	2	Fitting, 90° - brass - .500NPTF	Option: coolant heater

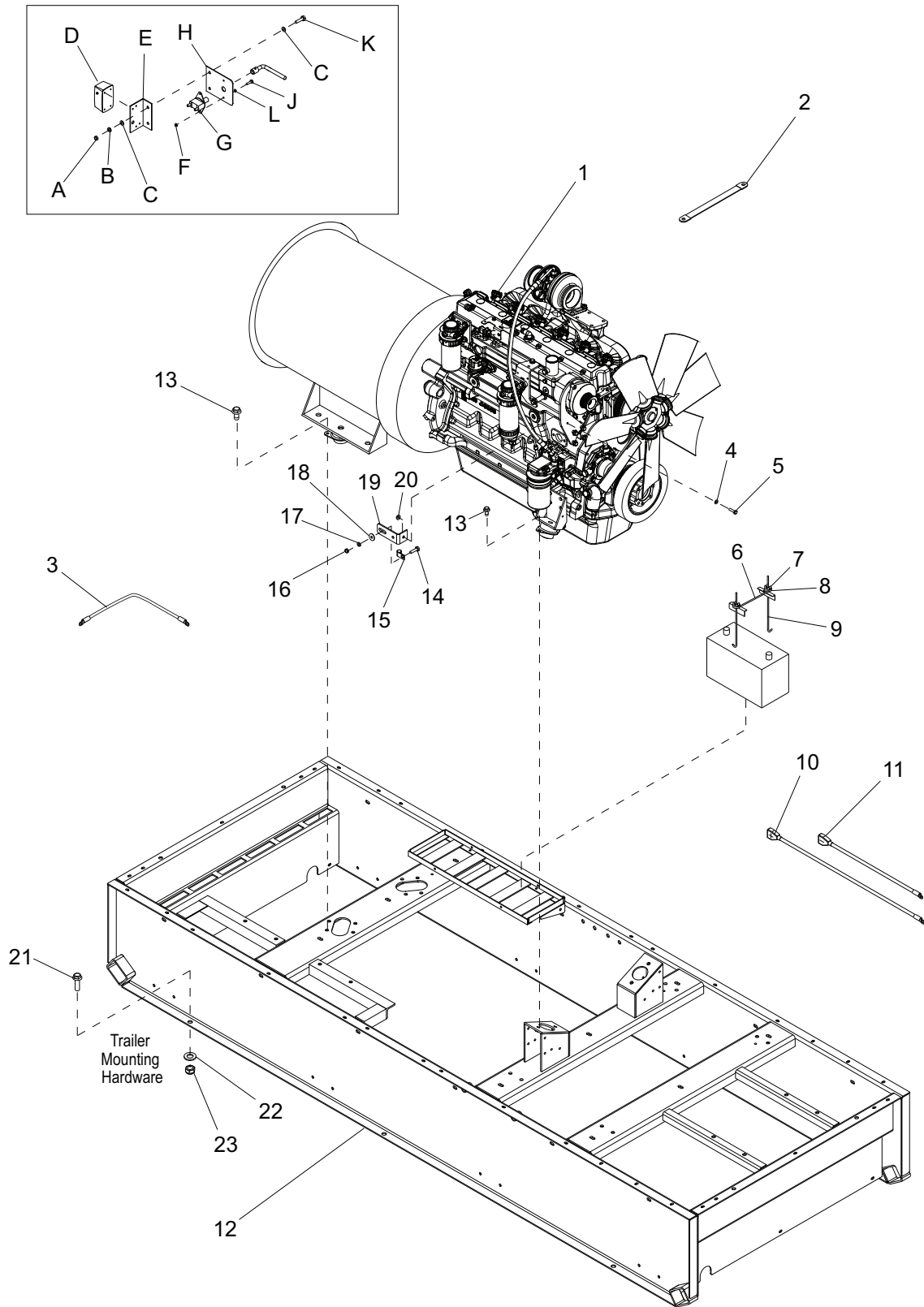
Note: Engine and generator parts used in all Magnum Products LLC equipment carry the Original Equipment Manufacturer (OEM) warranty unless otherwise stated. OEM warranty parts must be purchased through an OEM dealer. Please contact Magnum Products LLC with questions.

FUEL TANK AND SKID ASSEMBLY



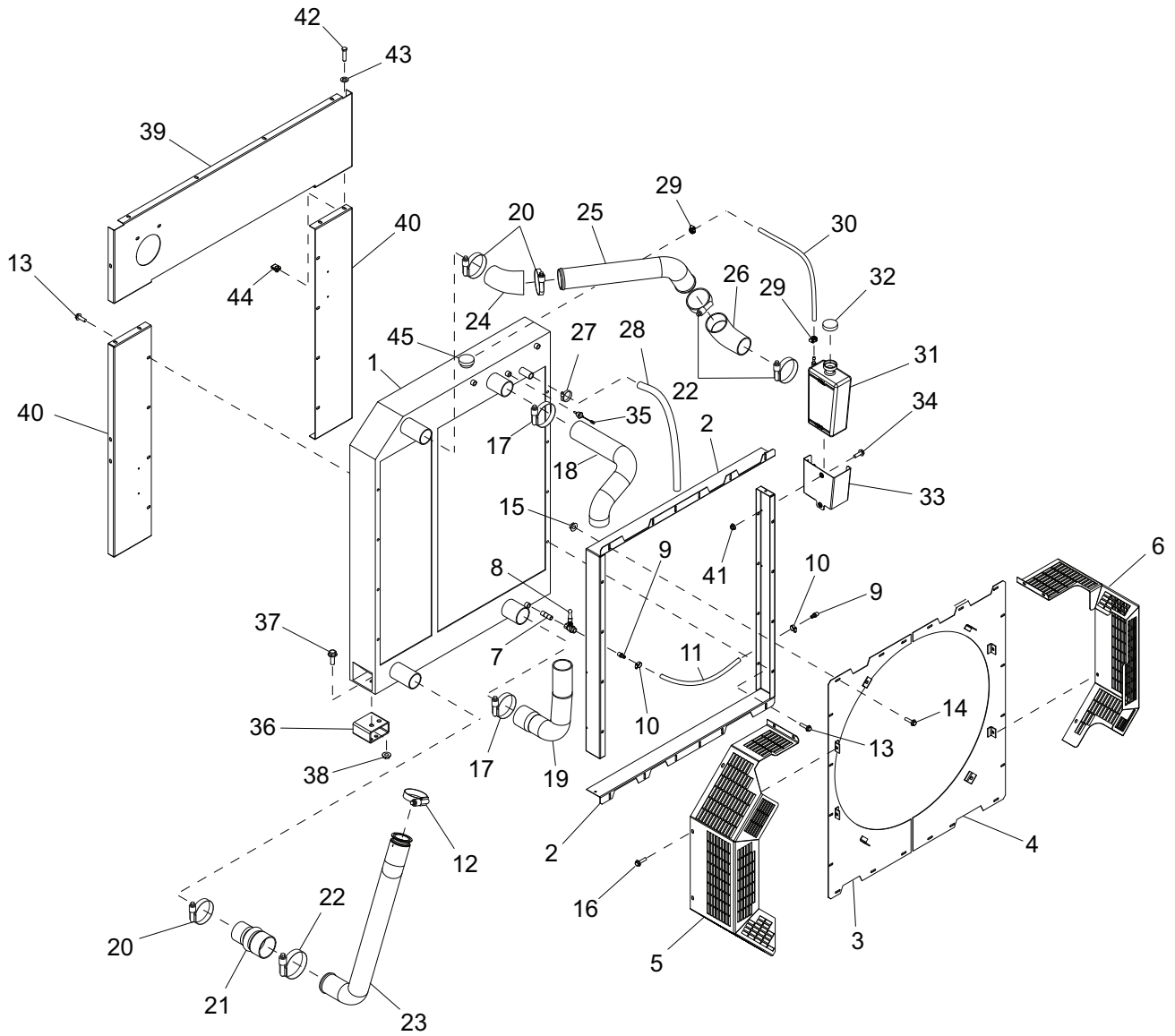
ITEM	PART NO.	QTY	DESCRIPTION	NOTES
1	29726B	1	Weldment, lift structure - top	
2	29727B	2	Weldment, lift channel upright	
3	61078	16	Screw, .625-11 x 2.000 flg hex G8	
4	60193	16	Washer, M16 flat LB DIN125	
5	60194	16	Washer, M16 split lock LB DIN127	
6	60520	16	Nut, .625-11 hex G8 ZB	
7	23611B	4	Plate, gusset - black	
8	63111	8	Screw, .750-10 x 2.250 flg hex G8 ZB	
9	60081	8	Washer, M20 flat LB DIN125	
10	60248	8	Washer, .750 split lock ZB	
11	60249	8	Nut, .750-10 hex G8 LB	
12	29866B	4	Bracket, lift structure side	
13	60507	20	Screw, .312-18 x 1.000 std hex 18-8 SS	
14	60452	20	Washer, .313 flat 18-8 SS bonded rubber	
15	60095	20	Nut, .312-18 sflg ZC case hardened	
16	29629B	1	Weldment, skid	
17	60018	6	Screw, M10X1.25X20 ser flg	
18	14216	4	Clamp, hose	
19	19178	1	Hose, fuel - .312 ID X 36"	
20	50018	3.83 ft.	Hose, fuel - .312 ID 50 psi	
21	Page 24	1	Assembly, fuel tank	
22	19336	2	Clamp, hose - 2.31-3.25	
23	18301	1	Hose, fuel fill	
24	60505	24	Nut, U-clip - .312-18	
A	24546B	1	Bracket, interior light	Option: interior light
B	11947	1	Light, interior with switch	Option: interior light
C	61091	1	Screw, .312-18 x 1" ser flg	Option: interior light
D	60095	1	Nut, .312-18 ser flg	Option: interior light
E	23683B	1	Weldment, containment pan	Option: containment
F	60505	12	Nut, .312-18 U - clip	Option: containment
G	60168	12	Screw, .312-18X.750 hx hd	Option: containment
H	60271	12	Washer, .312 split lock	Option: containment
J	60119	12	Washer, .312 flat .875/.070	Option: containment

ENGINE TO SKID ASSEMBLY



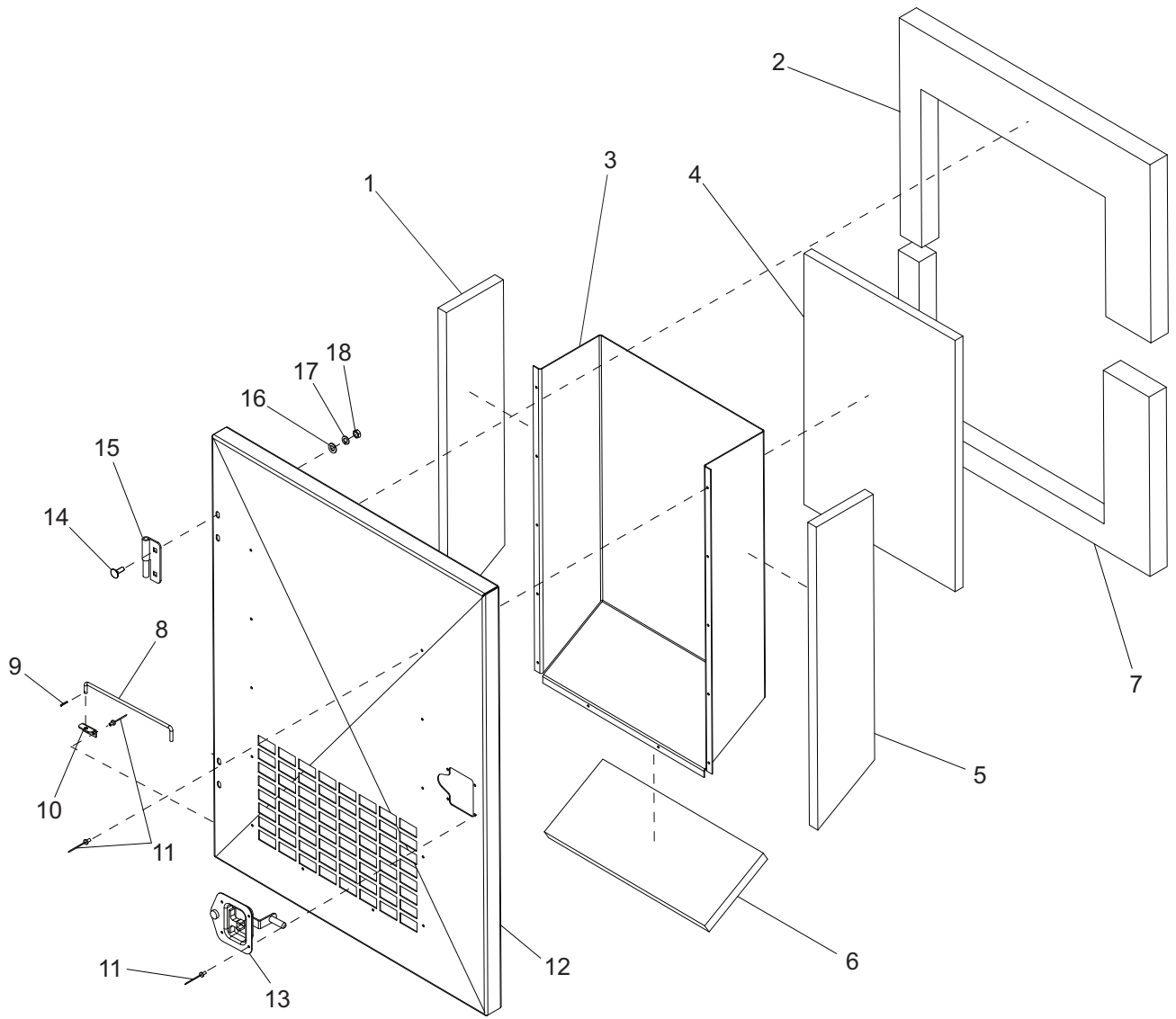
ITEM	PART NO.	QTY	DESCRIPTION	NOTES
1	Page 32	1	Assembly, engine	
2	19042	1	Strap, ground - 10 in.	
3	20268	1	Cable - assy, grd	
4	60698	1	Washer, flat .375	
5	60831	1	Screw, .375-16X1.500 hx	
6	14682	1	Bracket, battery hold-down	
7	60090	2	Nut, .250-20 wing	
8	60089	2	Washer, fender .265	
9	14146	2	Bolt, J - .250-20 x 10"	
10	18693	1	Cable, battery - 38" 2/0 red	
11	10425	1	Cable, battery - 16" 1/0 blk	
12	Page 34	1	Assembly, skid	
13	60018	8	Screw, hx ser flg	M10X1.25X20
14	60507	1	Screw, .312-18X1" hx hd	
15	60716	1	Clamp, tubing - 1.50 lt duty	
16	60285	1	Nut, .312-18 hx hd	
17	60271	1	Washer, split lock .312	
18	60119	2	Washer, flat .312	
19	11131B	1	Aux line bracket	
20	60145	1	Nut, .375-16 hx ser flg lock	
21	61078	6	Screw, .625-11x2" hx flg	
22	60180	6	Washer, flat .625	
23	60240	6	Nut, .625-11 hx nylock	
A	60285	2	Nut, .312-18 hx hd	Option
B	60271	2	Washer, split lock .312	Option
C	60119	4	Washer, flat .312	Option
D	11947	1	Light, interior with switch	Option
E	23528B	1	Bracket, interior light	Option
F	60161	2	Nut, .250-20 hx ser flg	Option
G	21489	1	Battery disconnect switch	Option
H	21494B	1	Bracket, battery disconnect	Option
J	60393	2	Screw, .250-20X1.000 hx	Option
K	60256	2	Screw, .312-18X1.500 hx	Option
L	60696	2	Washer, flat .250	Option

COOLING SYSTEM ASSEMBLY



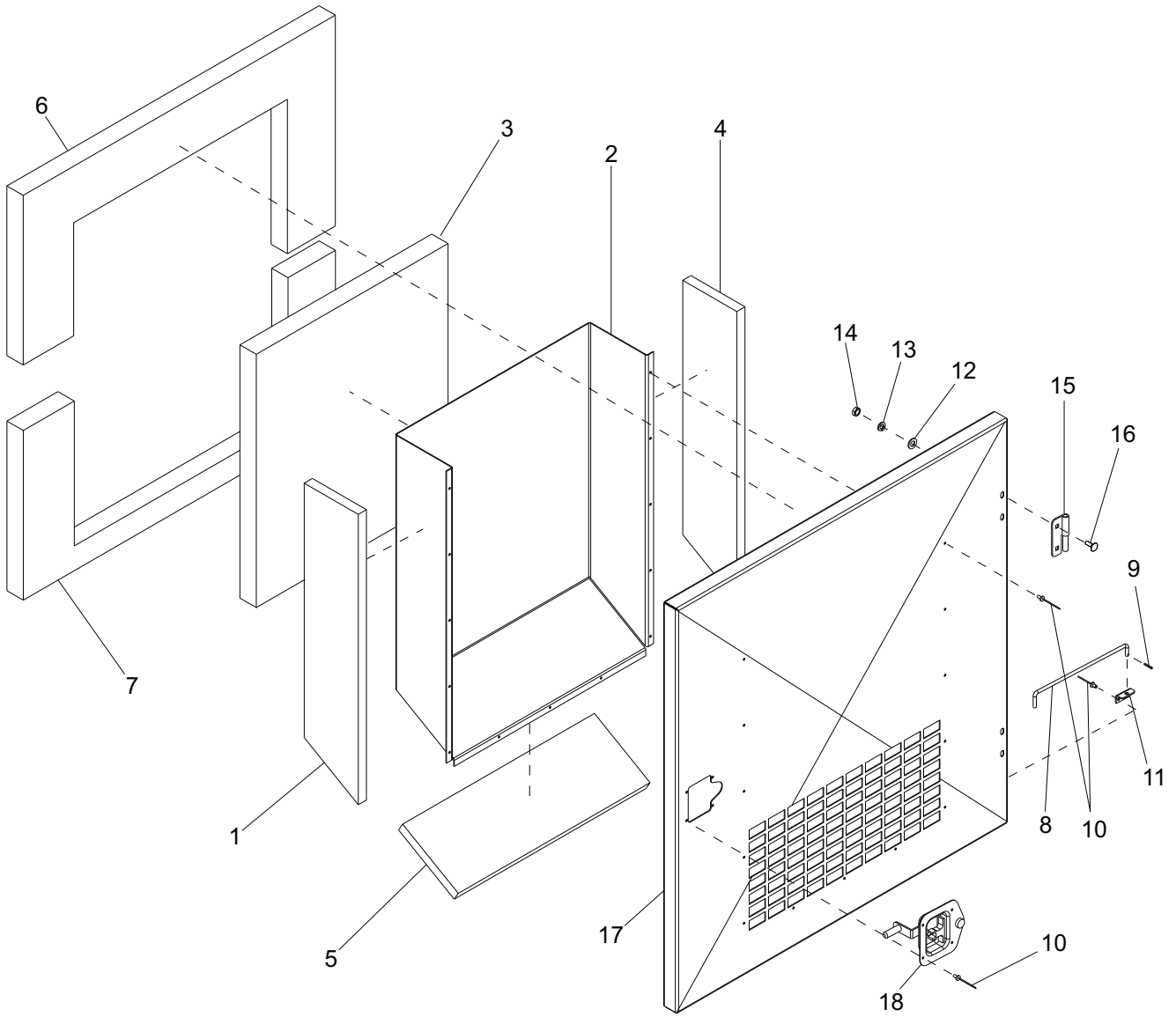
ITEM	PART NO.	QTY	DESCRIPTION	NOTES
1	27904	1	Radiator, MMG150-235 tier IV	
2	29908B	2	Radiator shroud - 27904	
3	29892B	1	Weldment, fan schroud-lh	
4	29891B	1	Weldment, fan shroud-rh	
5	29940B	1	Guard, fan - lft	
6	29939B	1	Guard, fan - rht	
7	60438	1	Fitting, nittple, pipe - .500NPT x close	
8	19279	1	Valve, ball .500NPTF	
9	60502	2	Fitting, strt-.500MNPT x .625 barb brs	
10	60365	2	Clamp, hose - sae 010 (.56-1.06)	
11	50201	1.54 ft.	Hose, .625 Horizon 200psi class A	
12	63205	1	Clamp, v-band - 3.50	
13	60451	8	Screw, .375-16 x .625 flg hex zc	
14	60175	20	Screw, .250-20 x .500 sflg hex G5 zc	
15	60161	20	Nut, .250-20 sflg G5 zc	
16	61091	8	Screw, .312-18 x1.000 sflg hex G5 zc	
17	60660	4	Clamp, hose - constant torque - 1.75 - 2.625	
18	29822	1	Hose, radiator - upper (175 T4)	
19	29826	1	Hose, radiator - lower (175 T4)	
20	60666	3	Clamp, hose - constant torque - 2.25 - 3.125	
21	22447	1	Hose, C.A.C. - 2.50 - 3.00 x 5.50	
22	60664	3	Clamp, hose - constant torque - 2.75 - 3.625	
23	29837	1	Pipe, C.A.C. outlet weldment - 175	
24	29867	1	Hose, C.A.C. - 2.50-3.00 x 45 deg	
25	29835	1	Pipe, C.A.C. inlet - 175	
26	29548	1	Hose, C.A.C. - 2.50-3.00 x 90 deg	
27	62040	1	Clamp, hose - 1.50 fuel hose crimp style	
28	50019	4 ft.	Hose, fuel - 1.00 SAE 20R3 D-2	
29	14216	1	Clamp, hose - SAE 004 (.21-.62) miniature	
30	19220	1	Hose, over flow	
31	20212	1	Jug, overflow (6qt.)	
32	19714	1	Cap, overflow bottle	
33	20213B	1	Support, overflow jug - black	
34	60523	2	Screw, .250-20 x .875 sflg hex zc	
35	65592	1	Sensor, low coolant (GEMS) metal/plastic	
36	29954B	2	Mount, radiator - 175	
37	60616	2	Screw, .312-18 x .750 sflg hex G5 zc	
38	60095	2	Nut, .312-18 sflg zc	
39	29850B	1	Panel, upper bulkhead	
40	29849B	2	Panel, side bulkhead	
41	60161	2	Nut, .250-20 sflg G5 zc	
42	60507	4	Screw, .312-18 x 1.000 std hex 18-8 ss	
43	60340	4	Washer, .312 flat .875/.040 18-8 ss	
44	60505	4	Nut, .312-18 u-clip, long type spring steel	
45	19219	1	Cap, radiator	

LEFT FRONT DOOR ASSEMBLY



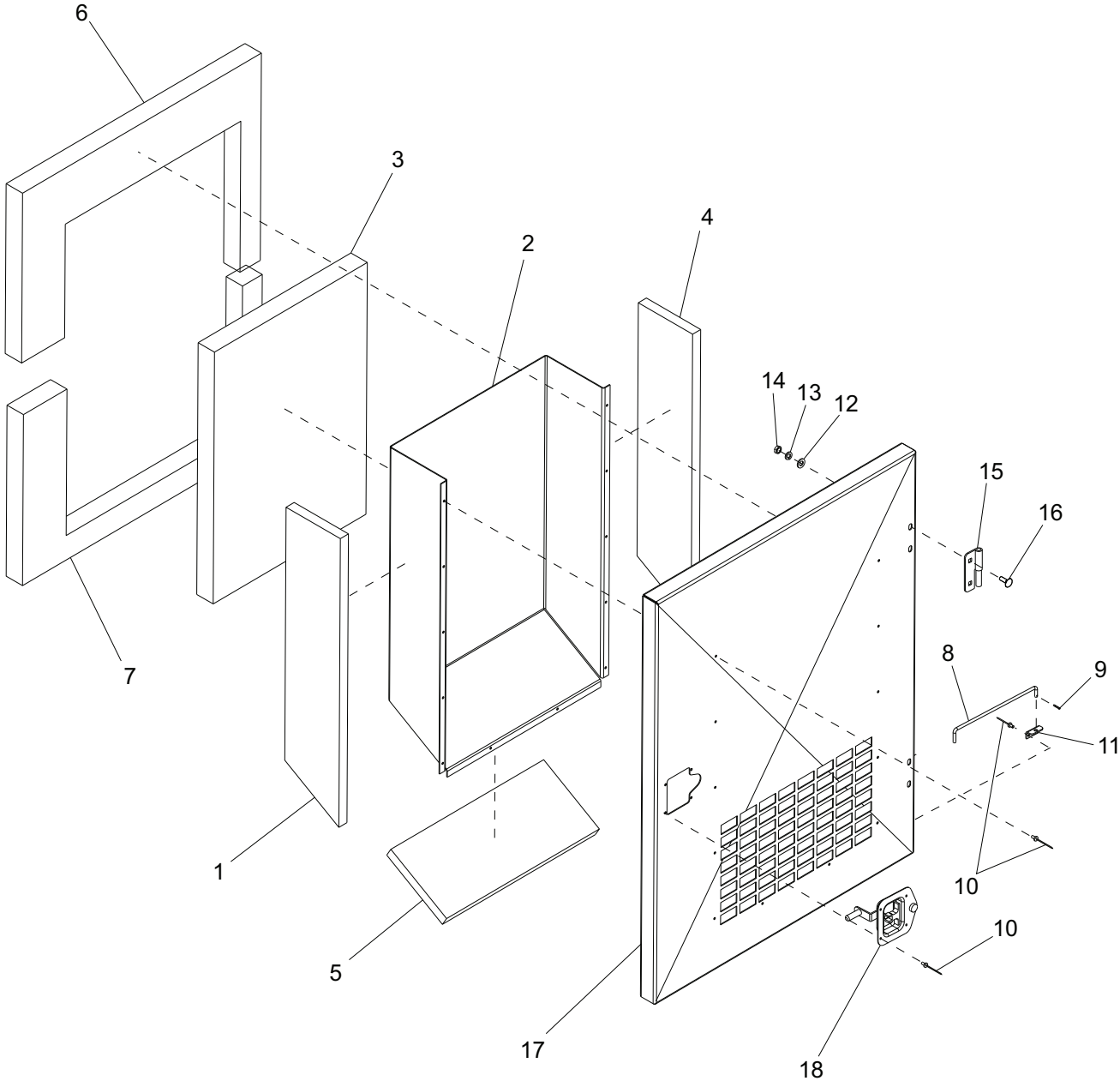
ITEM	PART NO.	QTY	DESCRIPTION	NOTES
1	22486	1	Foam, small duct rht	
2	22193	1	Foam, front lft door upper	
3	26089W	1	Duct, front door	
4	22487	1	Foam, front duct face - lft	
5	22485	1	Foam, door duct lft	
6	22488	1	Foam, small duct lower	
7	22194	1	Foam, front lft door lower	
8	18900ZC	1	Rod, door prop	
9	60048	1	Pin, roll .125 X .625	
10	20916Z	1	Bracket, prop rod	
11	60268	18	Rivet, .188 dia	
12	22160W	1	Door, front left	
13	22498	1	Latch, T-handle right - ccw	
14	61066	4	Screw, .312-18X1" carriage	
15	18459	2	Hinge, left (male)	
16	60243	4	Washer, .250 flat .735/.060	
17	60271	4	Washer, .312 split lock	
18	60285	4	Nut, .312-18 hx G5	
--	26090	1	Assy, front left door	Items 1 - 18

LEFT REAR DOOR ASSEMBLY



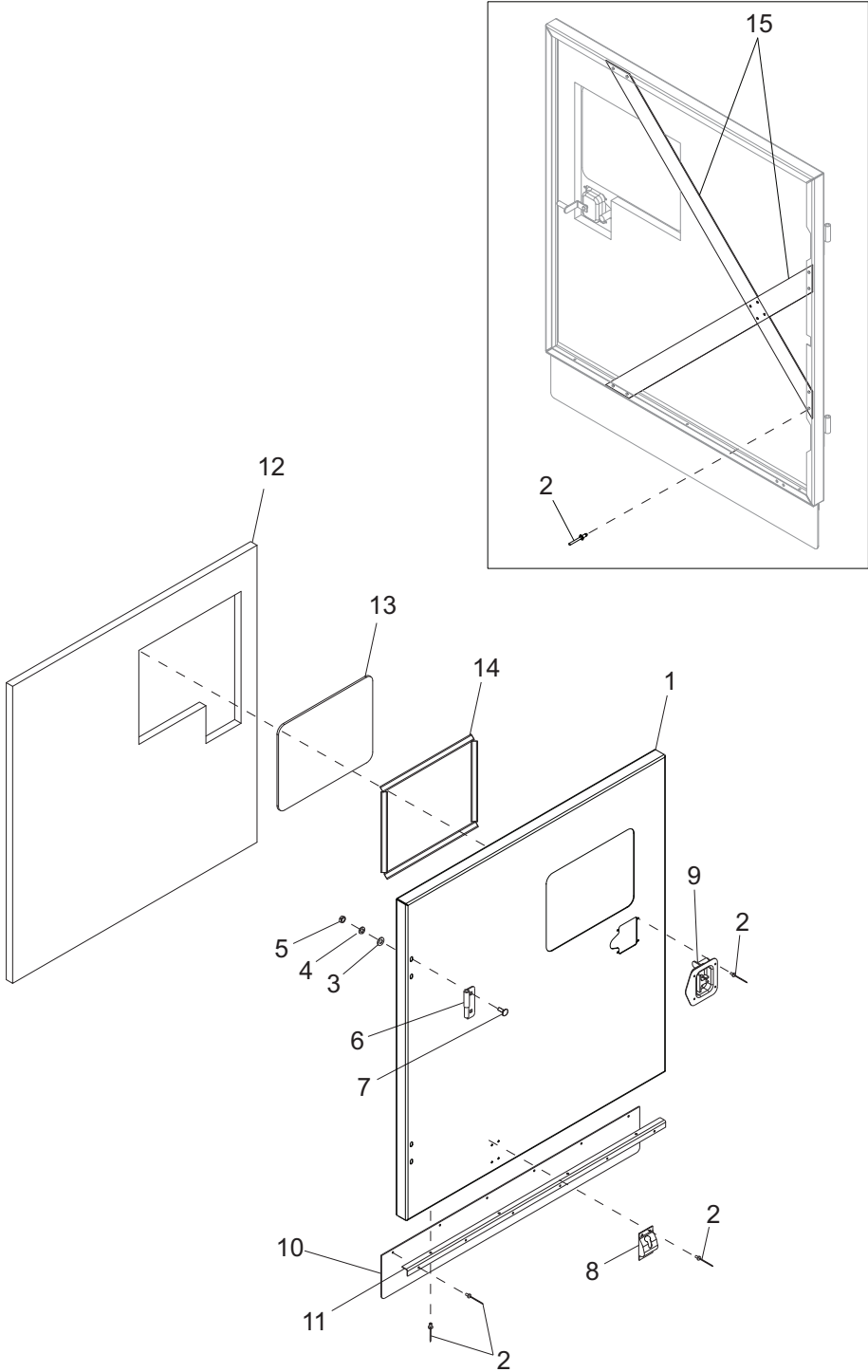
ITEM	PART NO.	QTY	DESCRIPTION	NOTES
1	22189	1	Foam, small duct right	
2	22169W	1	Duct, rear door	
3	22197	1	Foam, rear lft duct face	
4	22190	1	Foam, door duct lft	
5	22198	1	Foam, rear lft duct lower	
6	22195	1	Foam, rear lft door upper	
7	22196	1	Foam, rear lft door lower	
8	18900ZC	1	Rod, door prop	
9	60048	1	Roll pin, .125 x .625	
10	60268	19	Rivet, .188 dia	
11	20916Z	1	Bracket, prop rod	
12	60243	4	Washer, .250 flat .735/.060	
13	60271	4	Washer, .312 split lock	
14	60285	4	Nut, .312-18 hx G5	
15	18461	2	Hinge, right (male)	
16	61066	4	Screw, .312-18X1" carriage	
17	22161W	1	Door, rear left	
18	22497	1	Latch, T-handle - left cw	
--	22166	1	Assy, rear left door	Items 1 - 18

RIGHT FRONT DOOR ASSEMBLY



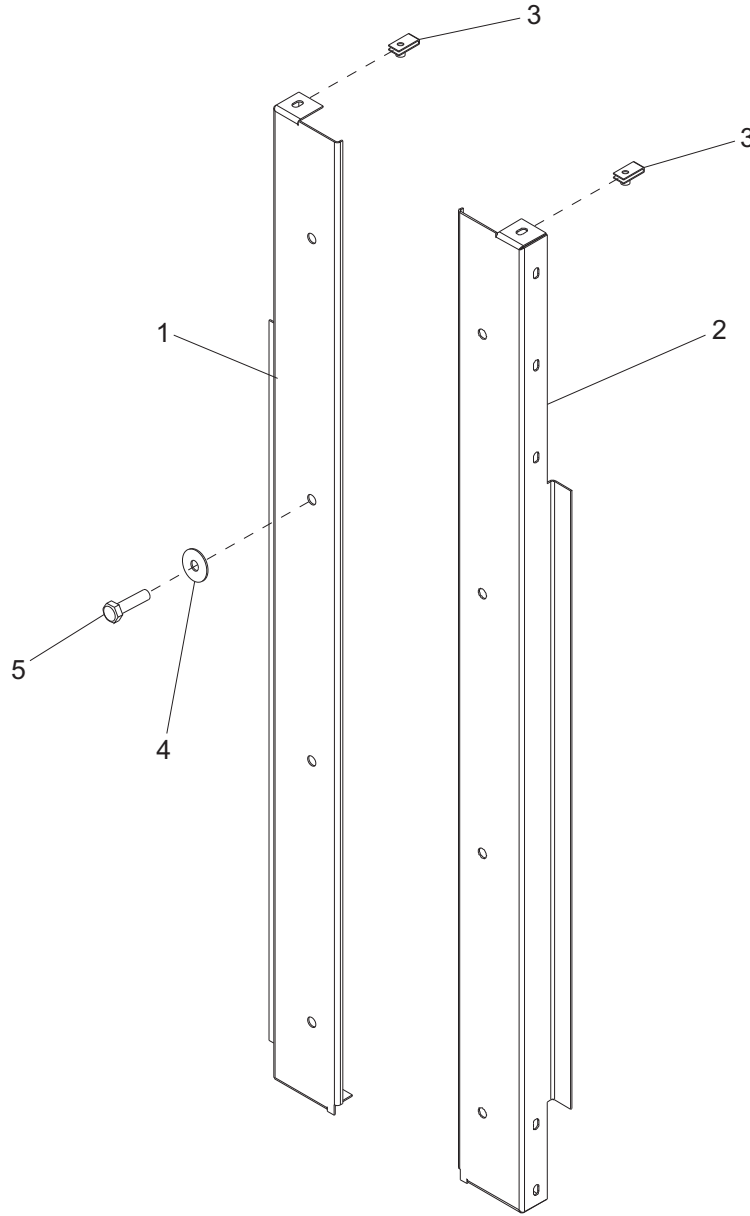
ITEM	PART NO.	QTY	DESCRIPTION	NOTES
1	22486	1	Foam, small duct right	
2	22484W	1	Duct, front door	
3	22487	1	Foam, front duct face - lft	
4	22485	1	Foam, door duct lft	
5	22488	1	Foam, small duct lower	
6	22191	1	Foam, front right door upper	
7	22192	1	Foam, front right door lower	
8	18900ZC	1	Rod, door prop	
9	60048	1	Pin, roll .125 X .625	
10	60268	18	Rivet, .188 dia	
11	20916Z	1	Bracket, prop rod	
12	60243	4	Washer, .250 flat .735/.060	
13	60271	4	Washer, .312 split lock	
14	60285	4	Nut, .312-18 hx G5	
15	18461	2	Hinge, right (male)	
16	61066	4	Screw, .312-18X1" carriage	
17	22159W	1	Door, front right	
18	22497	1	Latch, T-handle - left cw lock	
--	24997	1	Assy, front right door	Items 1 - 18

CONTROL DOOR ASSEMBLY



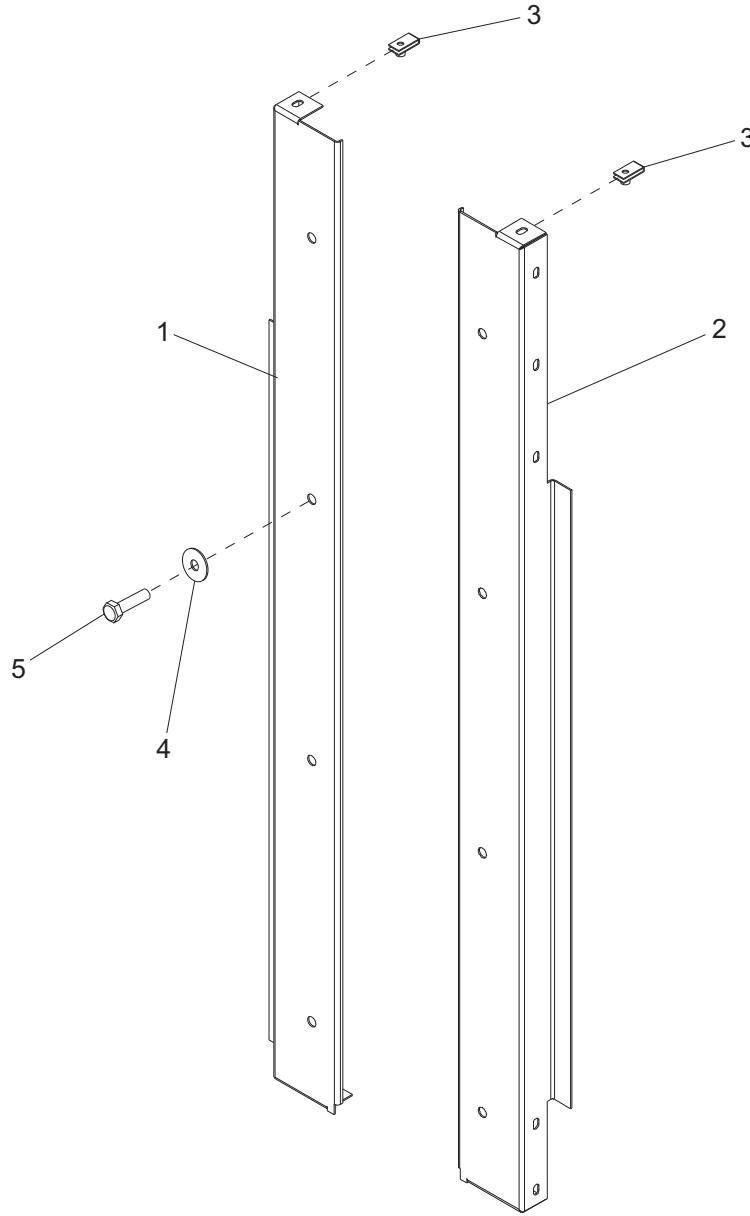
ITEM	PART NO.	QTY	DESCRIPTION	NOTES
1	29040W	1	Door, control	
2	60268	30	Rivet, .188 dia	
3	60243	4	Washer, .250 flat .735/.060	
4	60271	4	Washer, .312 split lock	
5	60285	4	Nut, .312-18 hx G5	
6	18459	2	Hinge, left (male)	
7	61066	4	Screw, .312-18X1" carriage	
8	62225	1	Latch, door - stainless cable w/ ball	
9	22498	1	Latch, T-handle right - ccw	
10	22171	1	Flap, control door	
11	22170W	1	Bracket, door flap	
12	27542	1	Foam, panel - control door	
13	21477	1	Window, control door	
14	50192	4.58ft.	Tape, .5" double sided type VHB	
15	22278B	2	Brace, control door - black	
--	22167	1	Assy, control door	Items 1 - 14

LEFT SIDE CENTER PANEL ASSEMBLY



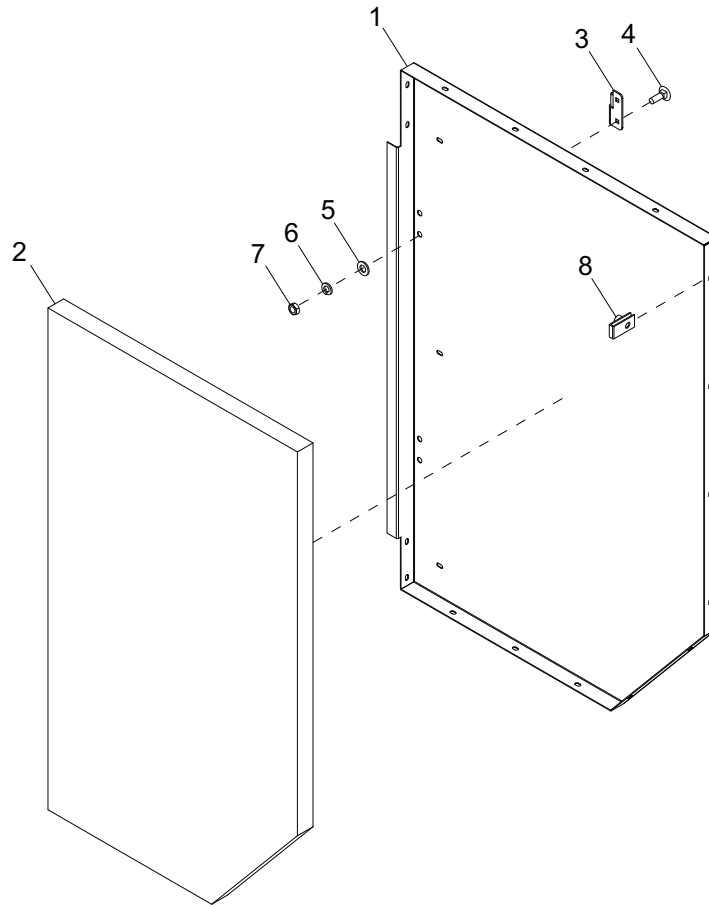
ITEM	PART NO.	QTY	DESCRIPTION	NOTES
1	22131W	1	Panel, left/middle/front	
2	22130W	1	Panel, right/middle/front	
3	60505	2	Nut, U-clip, .312-18	
4	60452	8	Washer, flat .313	
5	60507	8	Screw, .312-18X1" std hex	

RIGHT SIDE CENTER PANEL ASSEMBLY



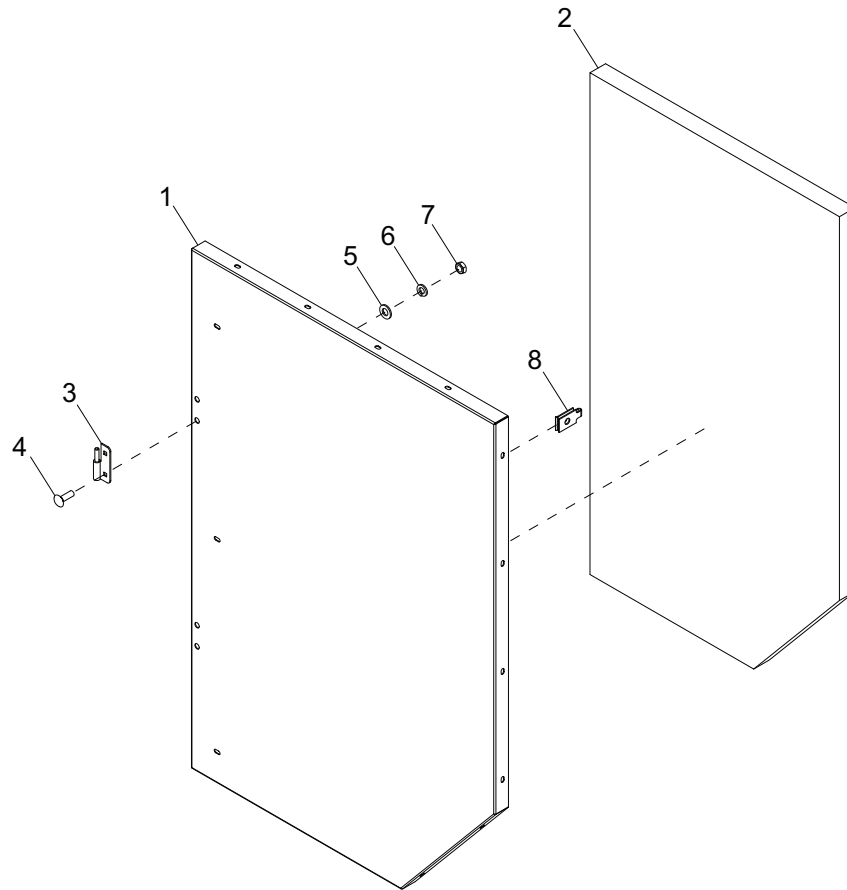
ITEM	PART NO.	QTY	DESCRIPTION	NOTES
1	22129W	1	Panel, right/middle/rear	
2	22130W	1	Panel, right/middle/front	
3	60505	2	Nut, U-clip, .312-18	
4	60452	8	Washer, flat .313	
5	60507	8	Screw, .312-18X1" std hex	

LEFT FRONT CORNER ASSEMBLY



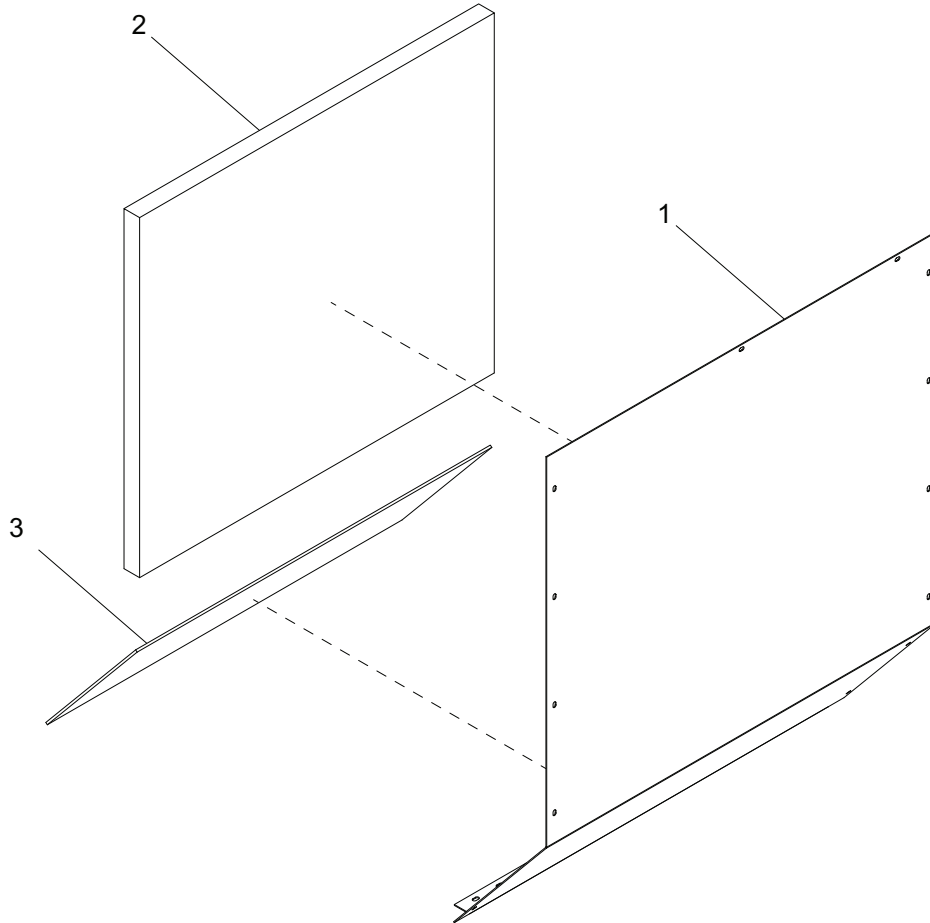
ITEM	PART NO.	QTY	DESCRIPTION	NOTES
1	29699W	1	Panel, left front corner	
2	29930	1	Foam panel - front corner	
3	18462	2	Hinge, left (female)	
4	61066	4	Screw, .312-18X1" carriage	
5	60243	4	Washer, .250 flat .735/.060	
6	60271	4	Washer, .312 split lock	
7	60285	4	Nut, .312-18 hx G5	
8	60505	7	Nut, U-clip, .312-18	
--	29890	1	Assy, left front corner	Items 1 - 9

RIGHT FRONT CORNER ASSEMBLY



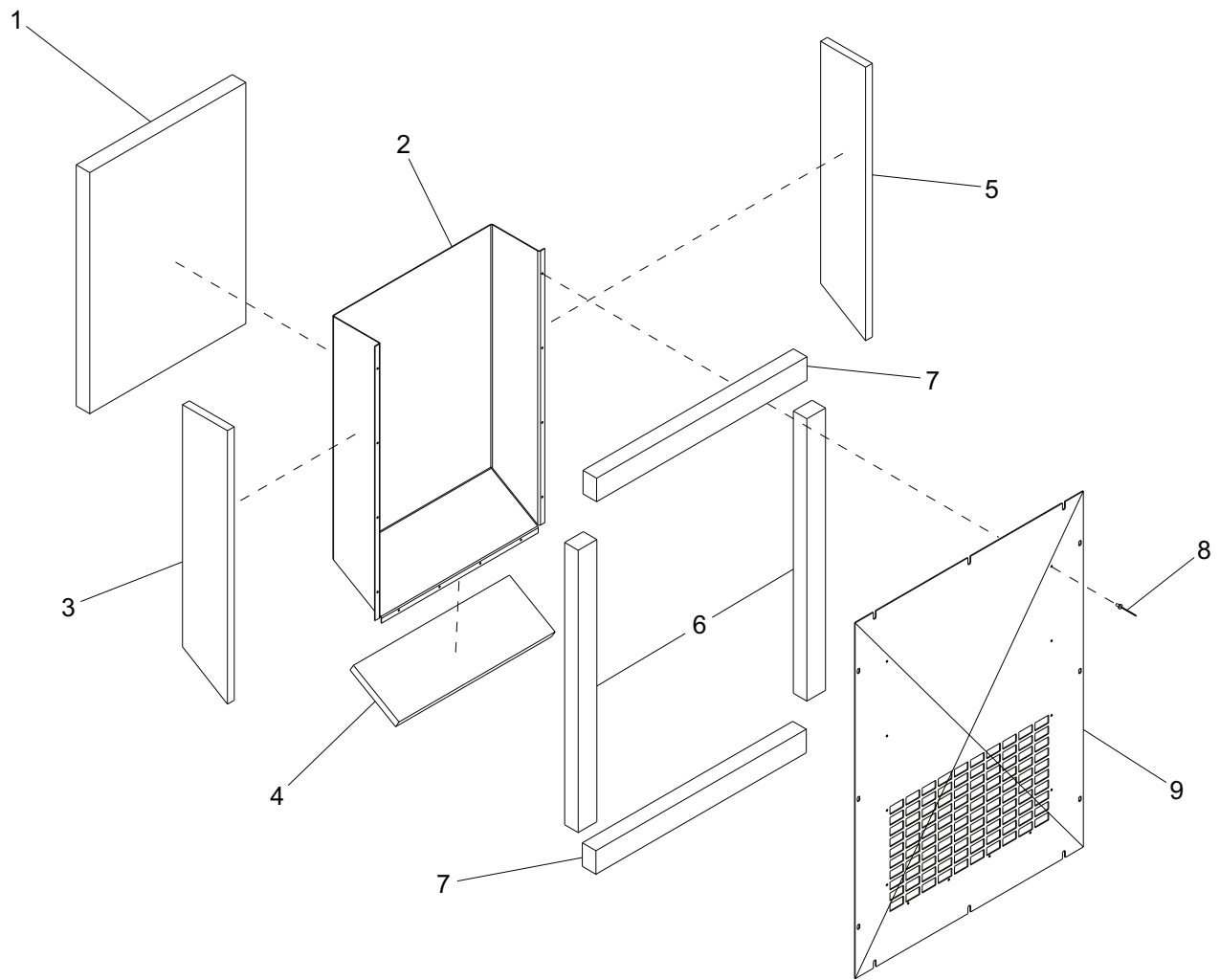
ITEM	PART NO.	QTY	DESCRIPTION	NOTES
1	29700W	1	Panel, right front corner	
2	29931	1	Foam panel - front corner	
3	18462	2	Hinge, left (female)	
4	61066	4	Screw, .312-18X1" carriage	
5	60243	4	Washer, .250 flat .735/.060	
6	60271	4	Washer, .312 split lock	
7	60285	4	Nut, .312-18 hx G5	
8	60505	7	Nut, U-clip, .312-18	
--	29889	1	Assy, right front corner	Items 1 - 9

FRONT PANEL ASSEMBLY



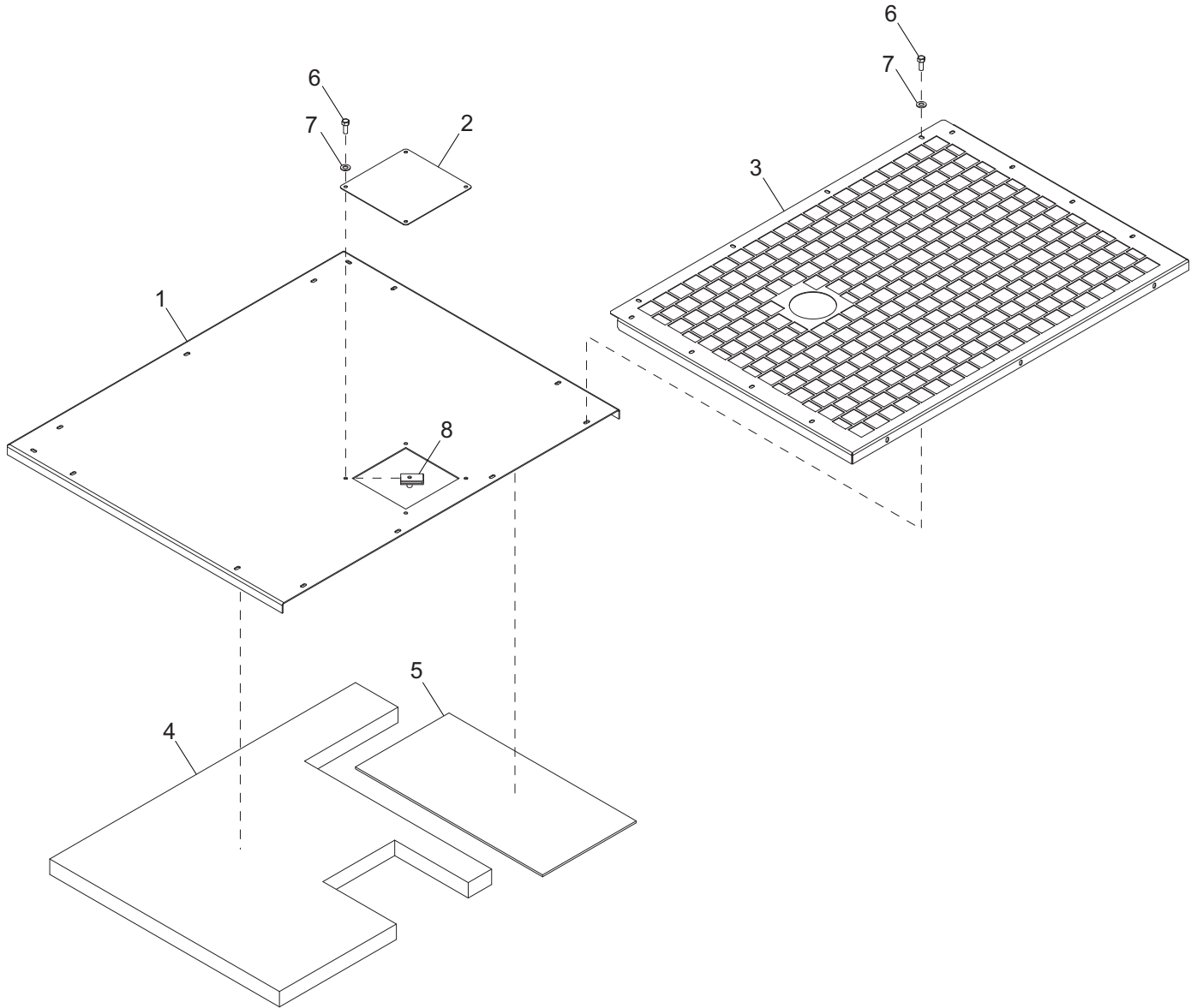
ITEM	PART NO.	QTY	DESCRIPTION	NOTES
1	29768W	1	Panel, front - 175	
2	29936	1	Foam panel, front top	
3	29937	1	Foam panel, front lower	
--	29903	1	Assy, front panel	Items 1 - 2

REAR PANEL ASSEMBLY



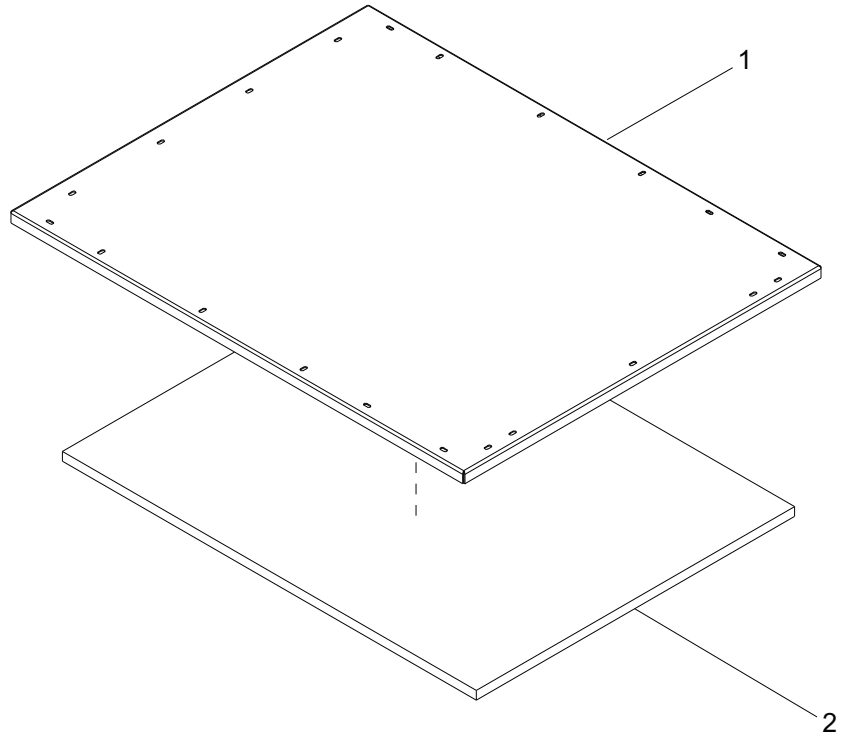
ITEM	PART NO.	QTY	DESCRIPTION	NOTES
1	22184	1	Foam, panel - rear duct face	
2	22138W	1	Duct, rear	
3	21966	1	Foam, duct (L)	
4	22185	1	Foam, rear duct lower	
5	21965	1	Foam, duct (R)	
6	21989	2	Foam, panel long	
7	22186	2	Foam, rear panel short	
8	60268	12	Rivet, .188 dia	
9	22066W	1	Panel, rear	
--	22144	1	Assy, rear panel	Items 1 - 9

FRONT ROOF PANEL ASSEMBLY



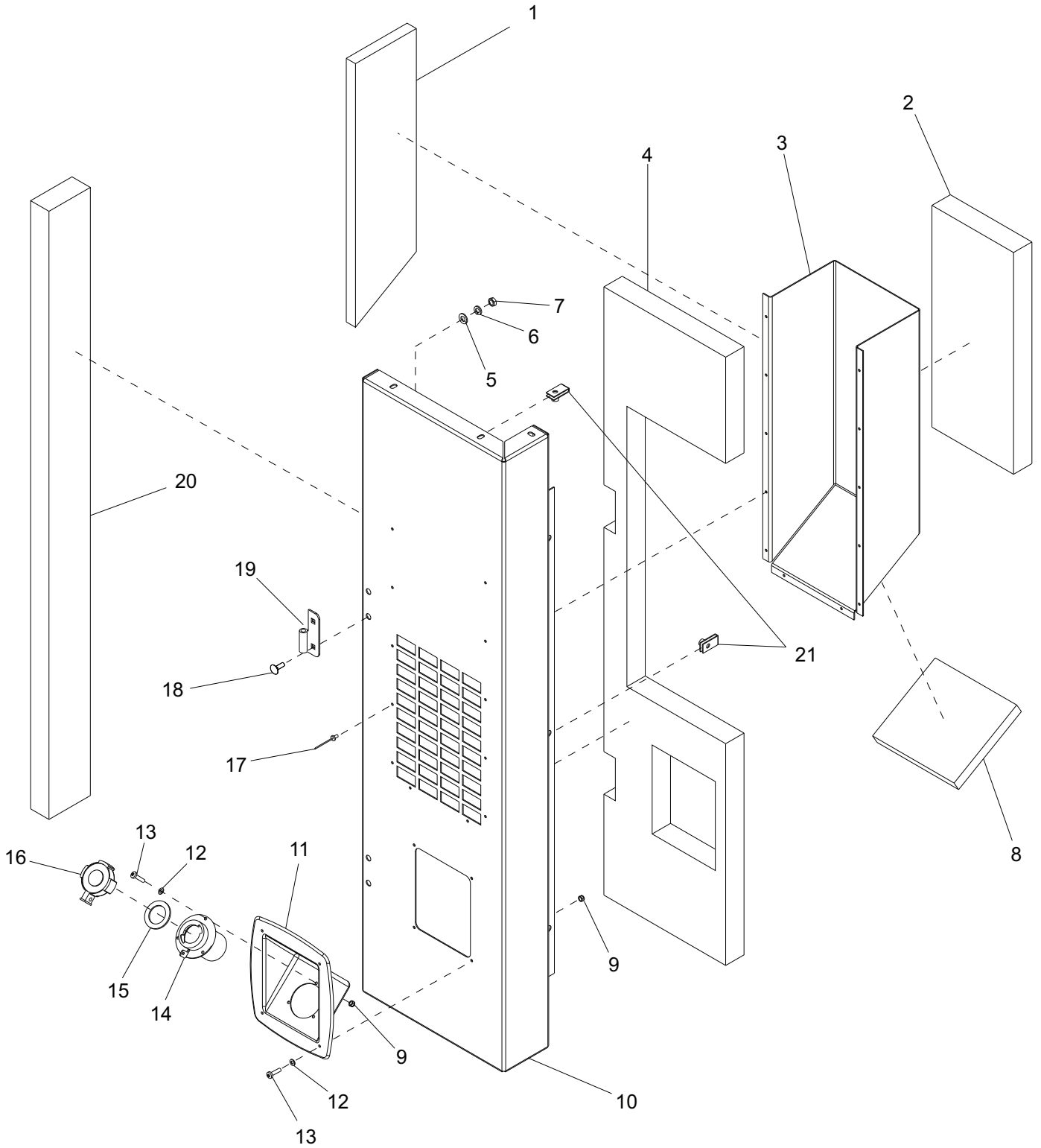
ITEM	PART NO.	QTY	DESCRIPTION	NOTES
1	29910W	1	Panel, front roof	
2	25053	1	Panel, access	
3	29911B	1	Panel, roof insert	
4	22174	1	Foam panel - frt roof	
5	23982	1	Insulation, ceramic roof	
6	60507	16	Screw, .312-18X1" std hex	
7	60452	16	Washer, flat .313	
8	60505	4	Nut, U-clip, .312-18	
--	29905	1	Assy, front roof	Items 1 - 8

REAR ROOF PANEL ASSEMBLY



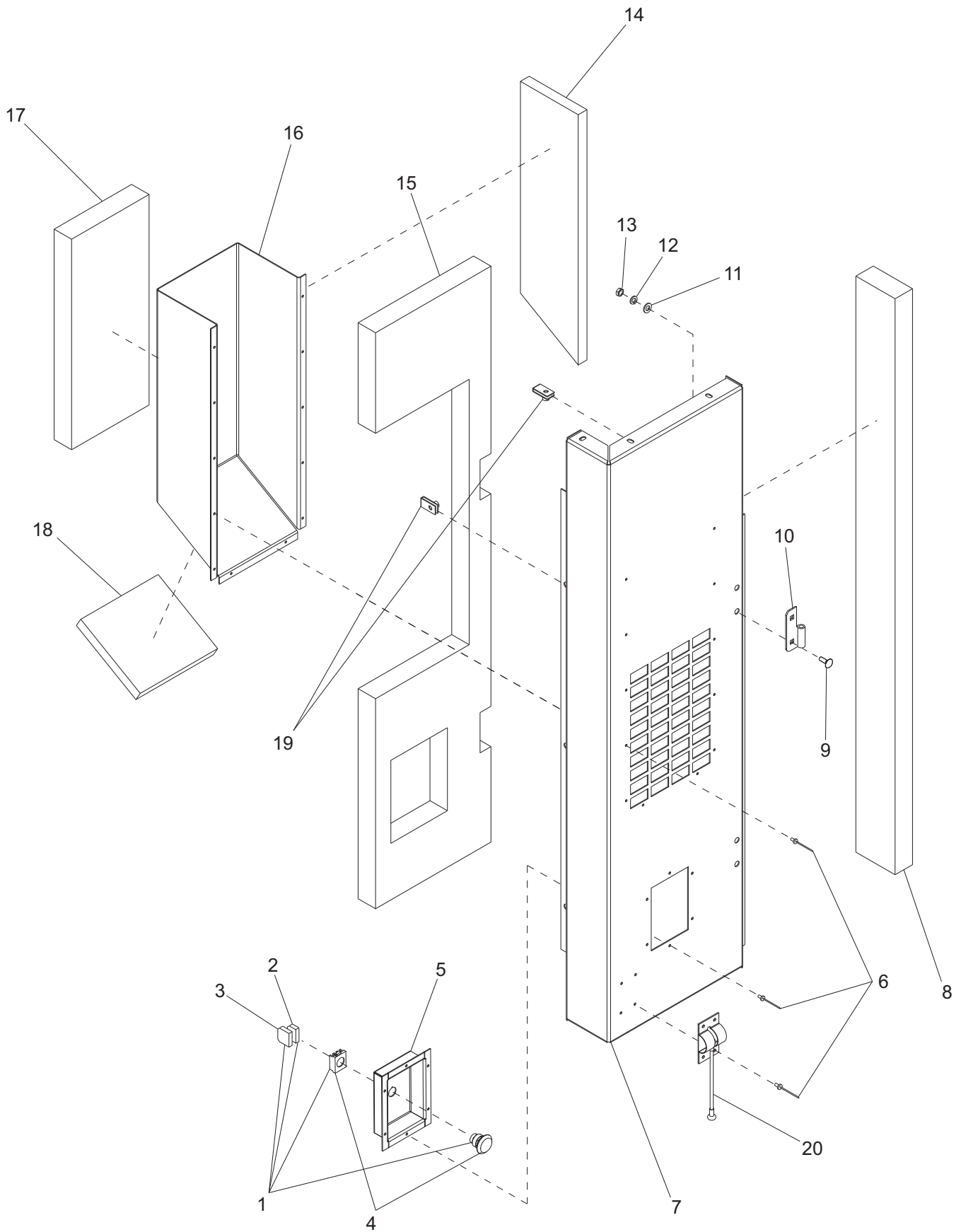
ITEM	PART NO.	QTY	DESCRIPTION	NOTES
1	22067W	1	Panel, roof rear	
2	22173	1	Foam, rear roof panel	
--	22090	1	Assy, rear roof	Items 1 - 2

LEFT REAR CORNER ASSEMBLY



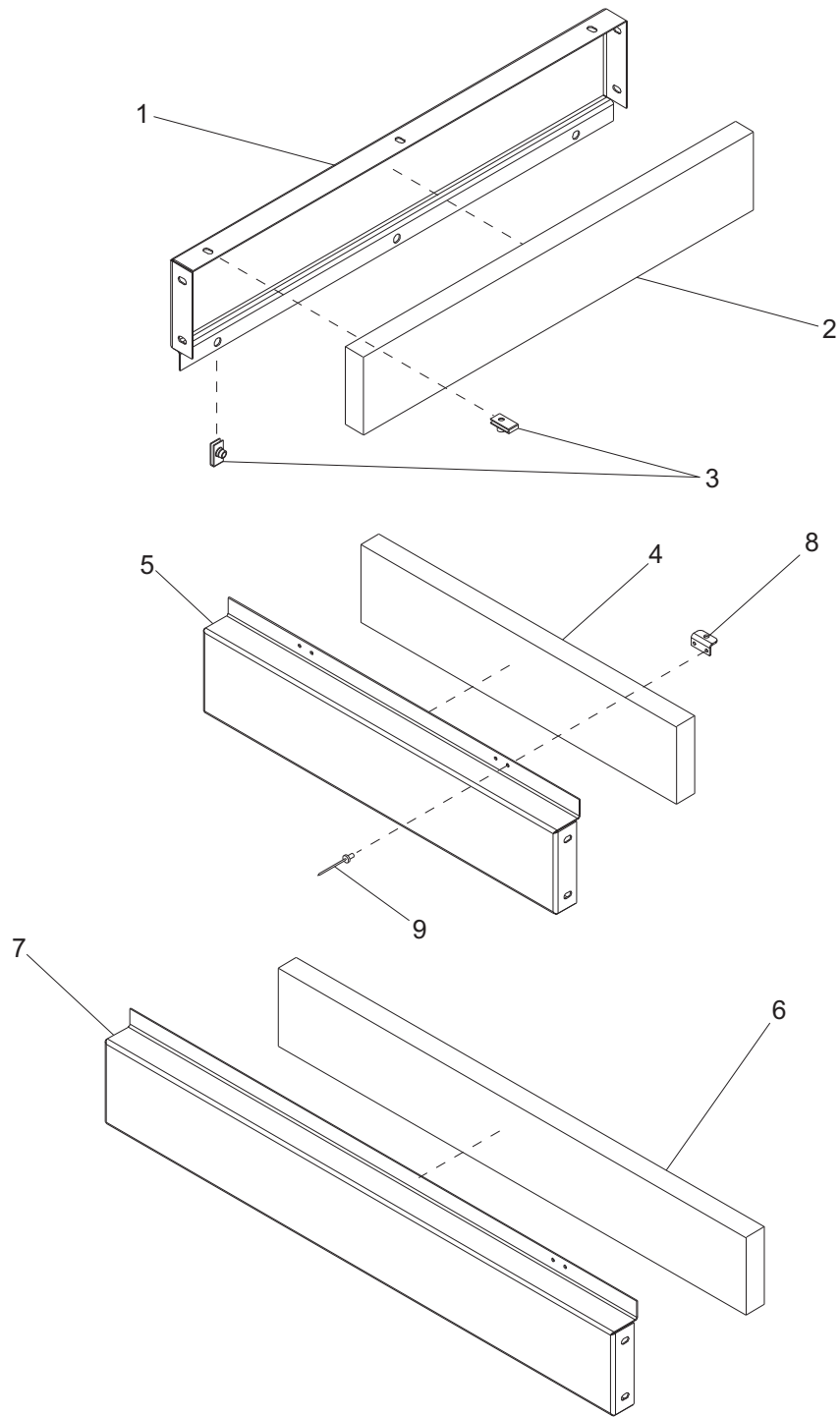
ITEM	PART NO.	QTY	DESCRIPTION	NOTES
1	21970	1	Foam, small duct right	
2	21968	1	Foam, small duct face	
3	21871W	1	Duct, side air	
4	22176	1	Foam, rear left corner	
5	60243	4	Washer, .250 flat .735/.060	
6	60271	4	Washer, .312 split lock	
7	60285	4	Nut, .312-18 hx G5	
8	21969	1	Foam, small duct lower	
9	60530	7	Nut, 10 - 24 18 - 8 nylock	
10	22062W	1	Panel, left rear	
11	18506	1	Port, fuel fill	
12	60067	7	Washer, flat #10 SS	
13	60529	7	Screw, 10-24X.625 pan phil	
14	18666B	1	Tube, filler	
15	19238	1	Gasket, fuel fill	
16	18648	1	Cap, fuel fill	
17	60473	12	Rivet, 3/16", closed end, alu.	
18	61066	4	Screw, .312-18X1" carriage	
19	18460	2	Hinge, right (female)	
20	21963	1	Foam, corner	
21	60505	6	Nut, U-clip, .312-18	
--	22086	1	Assy, left rear corner	Items 1 - 21

RIGHT REAR CORNER ASSEMBLY



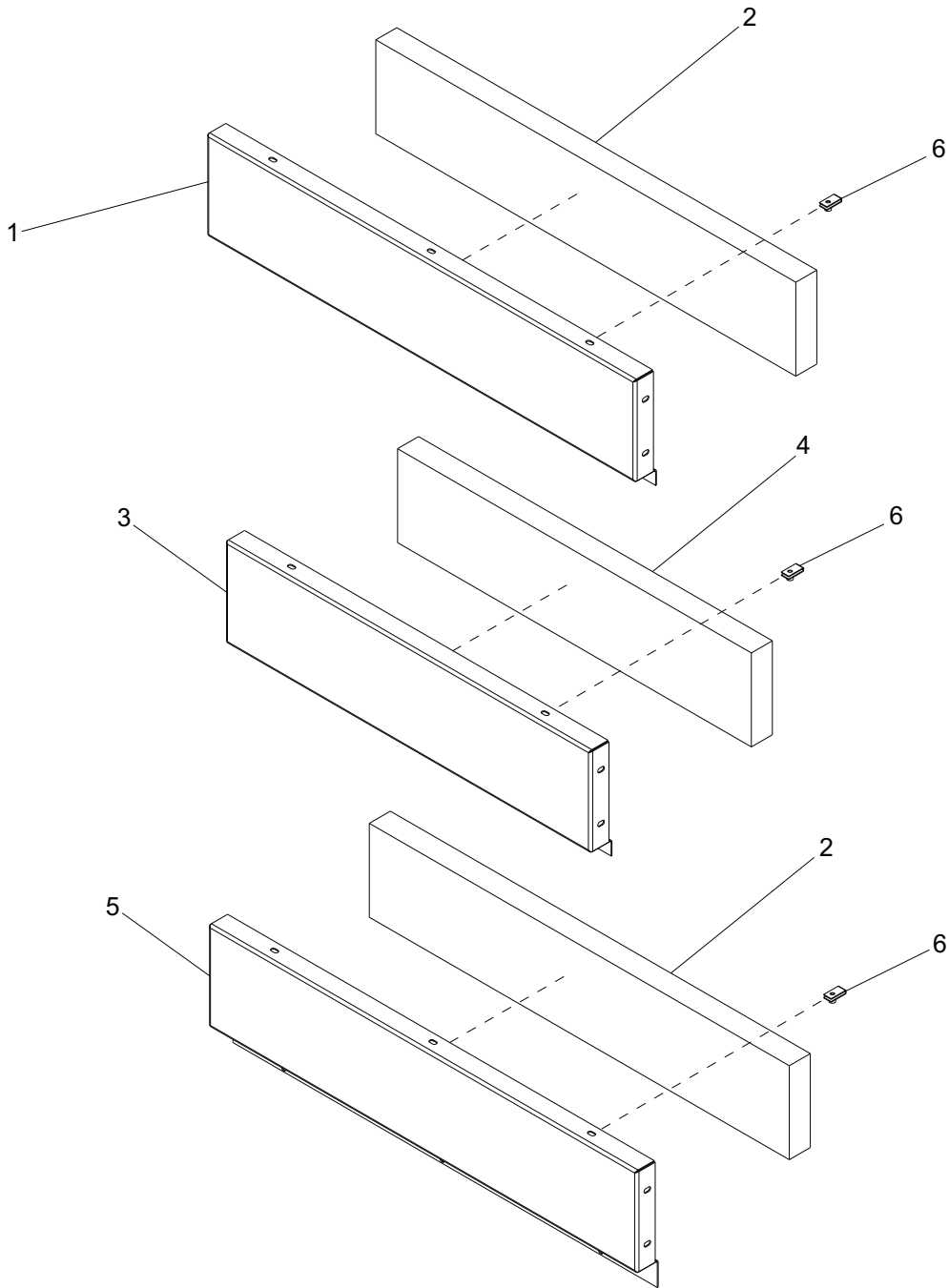
ITEM	PART NO.	QTY	DESCRIPTION	NOTES
1	22550	1	Switch, e-stop, assy	2N.O./1N.C.
2	65580	1	Block, e-stop contactor	N.C.
3	65584	1	Block, e-stop contactor	N.O./N.O.
4	65470	1	Switch, e-stop operator	
5	22816B	1	Panel, emergency stop	
6	60268	22	Rivet, .188 dia	
7	22063W	1	Panel, rear right	
8	21963	1	Foam, corner	
9	61066	4	Screw, .312-18X1" carriage	
10	18462	2	Hinge, left (female)	
11	60243	4	Washer, .250 flat .735/.060	
12	60271	4	Washer, .312 split lock	
13	60285	4	Nut, .312-18 hx G5	
14	21971	1	Foam, duct (L)	
15	22177	1	Foam, rear right corner	
16	21871W	1	Duct, side	
17	21968	1	Foam, duct face	
18	21969	1	Foam, duct lower	
19	60505	6	Nut, U-clip, .312-18	
20	62225	1	Latch, door - stainless cable w/ ball	
--	22087	1	Assy, right rear corner	Items 1 - 20

END AND LOWER SIDE PANEL ASSEMBLY



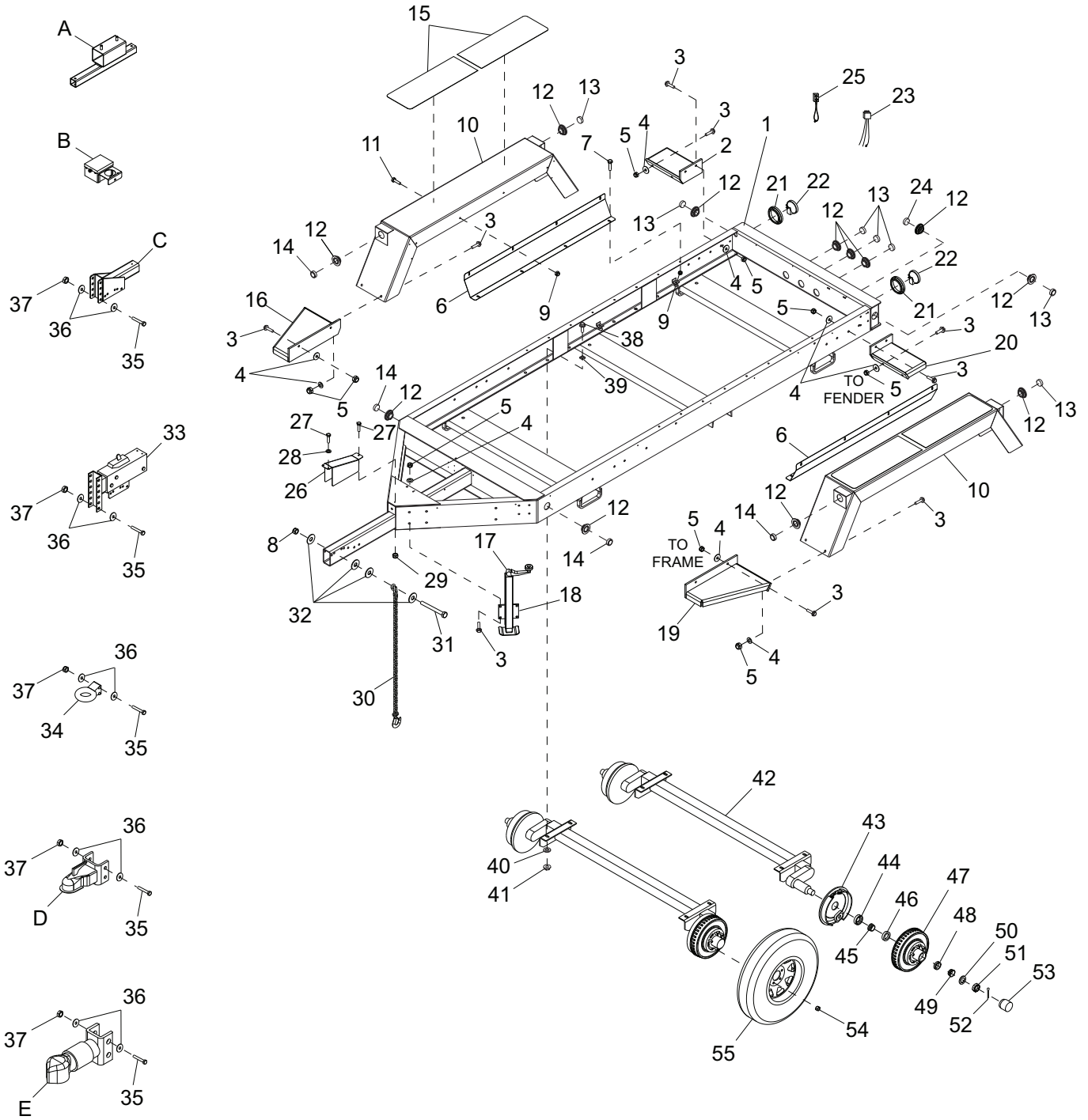
ITEM	PART NO.	QTY	DESCRIPTION	NOTES
1	22064W	4	Panel, end	
2	22178	4	Foam, end panel	
--	22088	4	Assy, front/rear panel	Items 1 - 2
3	60505	24	Nut, U-clip, .312-18	
4	22180	2	Foam, lower side panel	
5	22134W	2	Panel, lower side	
--	22140	2	Assy, front lower panel	Items 4 - 5
6	22182	1	Foam, lower side panel	
7	22137W	1	Panel, side	
--	22143	1	Assy, rear lower panel	Items 6 - 7
8	20916Z	2	Bracket, prop rod	
9	60268	4	Rivet, .188 dia	

UPPER SIDE PANEL ASSEMBLY



ITEM	PART NO.	QTY	DESCRIPTION	NOTES
1	22135W	1	Panel, left rear upper	
2	22181	2	Foam, right rear upper	
--	22141	1	Assy, rear/left upper panel	Items 1 - 2
3	22133W	2	Panel, right front upper	
4	22179	2	Foam, right front upper	
--	22139	2	Assy, front upper panel	Items 3 - 4
5	22136W	1	Panel, right rear upper	
--	22142	1	Assy, rear/right upper panel	Items 2 & 5
6	60505	8	Nut, U-clip, .312-18	

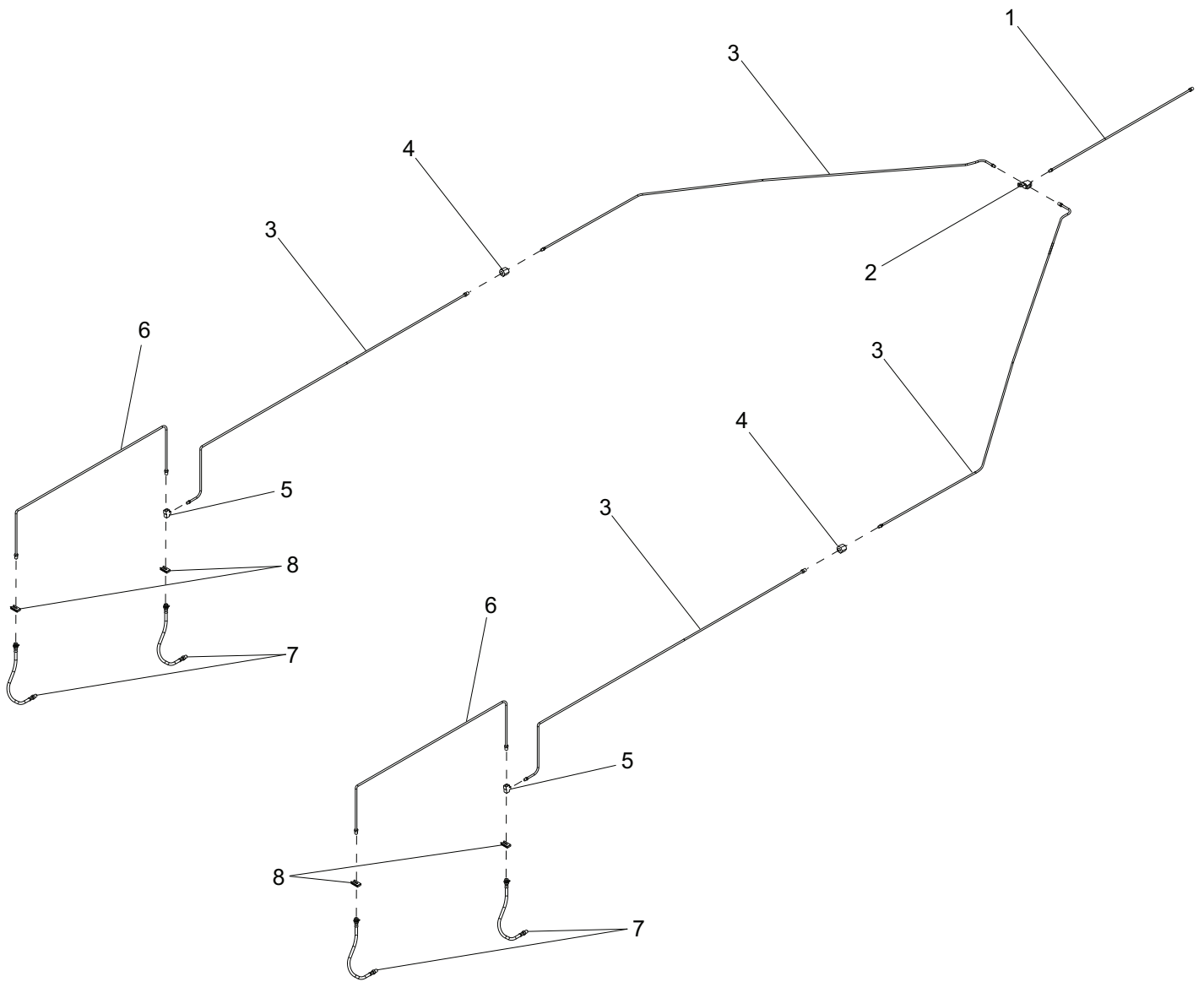
TRAILER ASSEMBLY



ITEM	PART	QTY	DESCRIPTION	NOTES
1	27655B	1	Weldment, trailer frame	
2	22358B	1	Weldment, rear step rh	
3	61103	20	Screw, .500-13X1.750 sflg hex	
4	60416	20	Washer, .500 flat 1.375/.090	
5	60307	20	Nut, .500-13 nylock	
6	22351B	2	Fender shield, large trailer	
7	60191	8	Screw, M16-2.00X90 std hex G10.9	

ITEM	PART	QTY	DESCRIPTION	NOTES
8	60668	2	Nut, .500-13 nylok G8	
9	60095	16	Nut, .312-18 sflg case hard	
10	27657B	2	Weldment, fender	
11	61091	8	Screw, .312-18X1.000 sflg hex G5	
12	66394	12	Grommet, 2.0"	
13	66397	7	Light, clearance - 2.0" red	
14	66396	4	Light, clearance - 2.0" amber	
15	22398	4	Pad, slip resistant 10" x 28"	
16	22360B	1	Weldment, front step rh	
17	22892	1	Jack, top wind - 5000lb	Jack only
18	22317B	1	Weldment, jack	Includes item 17
19	22359B	1	Weldment, front step lh	
20	22357B	1	Weldment, rear step lh	
21	10221	2	Grommet, 4.5"	
22	10220	2	Light, 4.0" red tail/turn	
23	10222	2	Plug, 3 wire	For tail/turn lights
24	66395	1	Light, utility 2.0"	
25	10226	12	Plug, 2 wire	For clearance lights
26	22302B	1	Cover, brake guard	
27	60684	3	Screw, .250-20X.875 std hex	
28	60286	2	Washer, split lock .250	
29	60144	1	Nut, .250-20 nylock	
30	20159	2	Chain, trailer safety	
31	61099	2	Screw, .500-13X5.00 std hex G8	
32	60671	8	Washer, flat .500 SAE	
33	18373	1	Actuator, trailer	
34	19335B	1	Hitch, pintle eye (adj) - 3" ID	
35	60239	1	Screw, .625-11X5.000 hx	
36	60193	2	Washer, flat M16	
37	60240	9	Nut, .625-11 nylock	
38	61078	8	Screw, .625-11X2.00 flg hex	
39	60651	8	Washer, sqr. bevel structural	.625 galvanized
40	60180	8	Washer, flat .625	
41	60531	8	Nut, .625 - 11 ser flg	
42	22145	2	Axle 6000# - 57" frame	Hydraulic brake
--	22146	2	Axle 6000# - 57" frame	Option: electric brake
43	26571	2	Surge free-backing brake	Left
--	26572	2	Surge free-backing brake	Right
--	26573	2	Electric brake assy	Option: left
--	26574	2	Electric brake assy	Option: right
44	26575	4	Inner grease seal 2.25"	
45	26576	4	Inner hub bearing	
46	26577	4	Inner bearing cup	
47	22387	4	Drum, large trailer brake	6000# axle
48	26584	4	Outer bearing cup	
49	26585	4	Outer hub bearing	
50	26581	4	Spindle washer	
51	12308	4	Spindle nut	
52	26583	4	Spindle nut - cotter pin	
53	26586	4	Dust cap	
54	60096	24	Nut, wheel lug	
55	20374	4	Wheel, 750-16 LTE	
--	27451	1	Decal, reflective tape kit	Not shown: white
--	27452	27.7ft.	Tape, conspicuity -2"	Not shown: red/white
--	27671	1	Harness, trailer	Not shown
A	24345B	1	Weldment, spare tire carrier	Option
B	19417	1	Breakaway kit	Option
C	19763B	1	Weldment, hitch elec.	Option: 4-pos adjustable
D	19519	1	Coupler, 2.31 ball	Option: adjustable hitch
E	41795	1	Coupler, 2.31 ball - bulldog 12500lb	Option: bulldog ball

TRAILER BRAKE LINES



ITEM	PART NO.	QTY	DESCRIPTION	NOTES
1	40495	1	Brake line, 3/16 x 20"	
2	19252	1	Fitting, T w/bracket	
3	22338	4	Brake line, 3/16 x 60"	
4	22339	2	Connector, brake line	
5	40498	2	Fitting, T	
6	40493	2	Brake line, 3/16 x 40"	
7	40497	4	Hose, brake	
8	40499	4	Clip, brake hose	

RECOMMENDED SPARE PARTS LIST

Lug Door Safety Swtiches(2).....	12632
Voltage Regulator (SE 350).....	18556
Digital Controller	66191
Voltage Potentiometer	26229
Starter Relay	18081
2000 Hour Service Kit.....	SK017
Hose, Radiator - Upper.....	24987
Hose, Radiator - Lower.....	23507
Sensor, Low Coolant	65592
E-Stop Assembly	22550
Overflow Jug Assembly	20454
Engine Alternator.....	22372

REV: ORG
PART NO: 30250
05.11.12